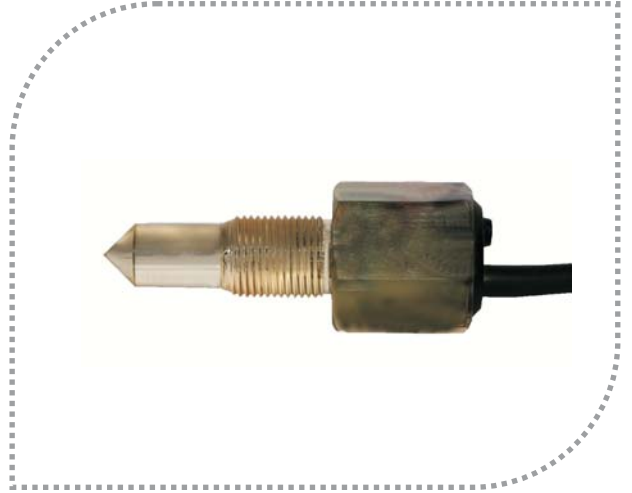


ELO optical level sensor is composed of infrared sensor and optical receiver. Light that is sent from sensor is broken by reflecting from prismatic surface and is sensed by the receiver sensor. Light return intensity changes according to air or liquid cover of the prismatic surface. This change is measured and level information is perceived and then, required switching outlet is ensured. It is mountable to the tank from every angle. It is a level measuring method that requires less maintenance without being affected by conductivity and hardness of liquids.



ELO

**OPTICAL
LEVEL SWITCH**

ELO 02E , ELO 02EP

Areas of Applications:

* Alcohol, ether, water, acid, mineral oil, lactic acid.

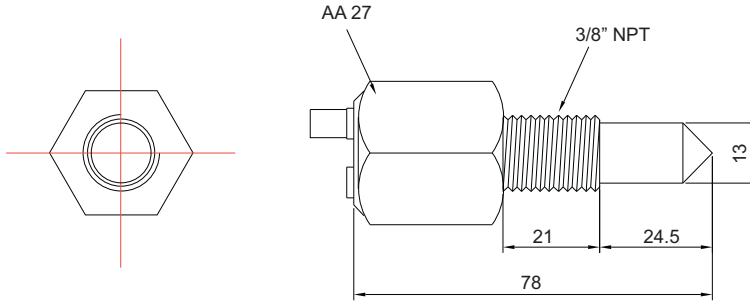


Technical Specification : ELO-02E

ELO-02EP

Supply	10...40 VDC	10...40 VDC
Frequency	30 Hz.	30 Hz.
Max. Current	Less than 200 mA	Less than 200 mA
Output	NPN, NA	PNP, NO
Material of Housing	Polysulfon	Polysulfon
Connection	3/8" NPT	3/8" NPT
Color of LED	Sarı	Yellow
Protection Class	IP 67	IP 67
Working Temperature	-20/+80 °C	-20/+80 °C
Working Pressure / Temp.	10 bar / 80 C	10 bar / 80 C
Sensing Distance	Horizontal +/- 5mm Vertical +/- 2.5mm	Horizontal +/- 5mm Vertical +/- 2.5mm
Cable	2m. , 3x0.5 mm ²	2m. , 3x0.5 mm ²

dimensions :



Mounting:

