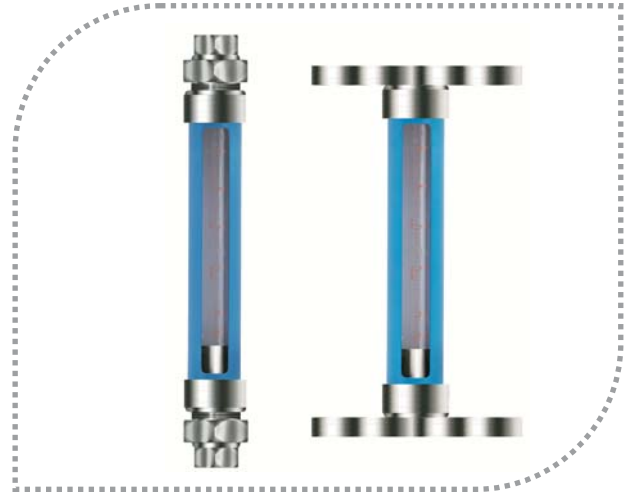


Float which moves freely without friction in the measuring tube, changes location by being pushed by fluid. This changing flow rate depends on weight of float an density and viscosity of fluid. Pressure olecease remains area by rasing flow rates so asto depend on increasing flow area by rasing flow rate and speed of fluid.

It should be assembled vertically.



EF FLOWMETER

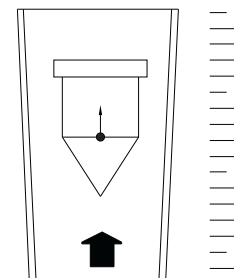
EF 301
EF 302

Advantages :

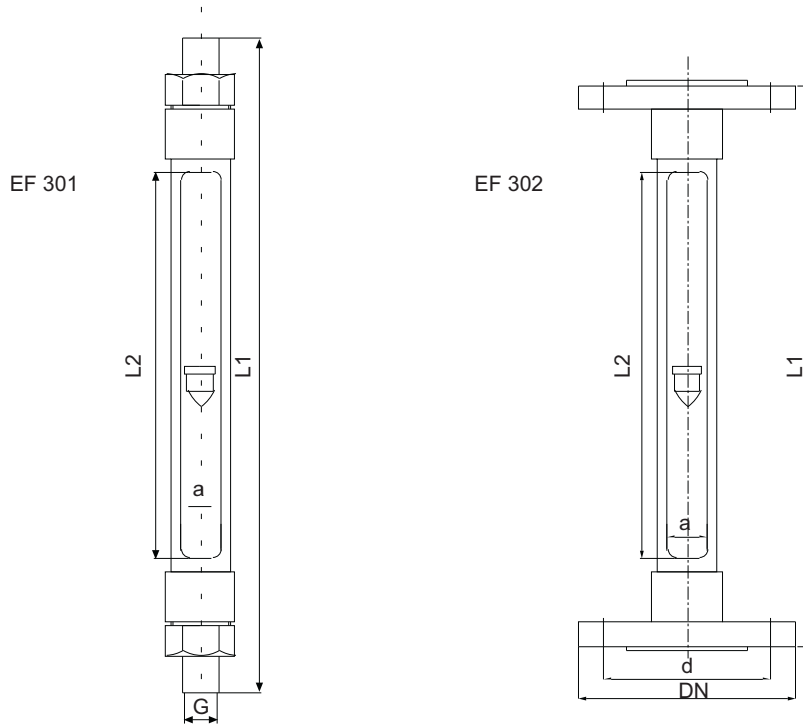
- * Wetted parts are stainless steel
- * Easy monitoring

Technical Spification :

Fluid	Water, Air Special fluids should be stated
Max. working pressure	7...15 bar
Max. working temperature	150°C
Measuring tube	Borosilicate Glass
Float material	316 Stainless steel
Float stop material	PTFE
Connections	316 Stainless steel
Case	Coated Steel
Accuracy	+/-%1 t.s.



Dimensions :



MODEL	MAX. PRESSURE	L1	L2	CONNECTION	DN mm	MEASURING RANGE	
						WATER	AIR
EF 301 / 001	15	408	310	1/2" BSP	DN 15	1.6....16 l / h	0.05....0.5 m ³ / h
EF 301 / 002	15	408	310	1/2" BSP	DN 15	2.5....25 l / h	0.08....0.8 m ³ / h
EF 301 / 003	15	408	310	1/2" BSP	DN 15	4....40 l / h	0.12....12 m ³ / h
EF 301 / 004	15	408	310	1/2" BSP	DN 15	6.3....63 l / h	0.2....2 m ³ / h
EF 301 / 005	15	408	310	1/2" BSP	DN 15	10....100 l / h	0.3....3 m ³ / h
EF 301 / 006	15	408	310	1/2" BSP	DN 15	16....160 l / h	0.5....5 m ³ / h
EF 301 / 007	15	408	310	1/2" BSP	DN 15	25....250 l / h	0.8....8 m ³ / h
EF 301 / 008	15	408	310	1/2" BSP	DN 15	40....400 l / h	*
EF 301 / 009	15	408	310	1/2" BSP	DN 15	63....630 l / h	*
EF 301 / 010	12	414	310	1" BSP	DN 25	63....630 l / h	2....20 m ³ / h
EF 301 / 011	12	414	310	1" BSP	DN 25	100....1000 l / h	3....30 m ³ / h
EF 301 / 012	12	414	310	1" BSP	DN 25	160....1600 l / h	*
EF 301 / 013	12	414	310	1" BSP	DN 25	250....2500 l / h	*
EF 301 / 014	9	428	310	1 1/2" BSP	DN 40	160....1600 l / h	5....50 m ³ / h
EF 301 / 015	9	428	310	1 1/2" BSP	DN 40	250....2500 l / h	8....80 m ³ / h
EF 301 / 016	9	428	310	1 1/2" BSP	DN 40	400....4000 l / h	*
EF 301 / 017	7	431	310	2" BSP	DN 50	400....4000 l / h	12....120 m ³ / h
EF 301 / 018	7	431	310	2" BSP	DN 50	630....6300 l / h	20....200 m ³ / h
EF 301 / 019	7	431	310	2" BSP	DN 50	100....1000 l / h	*

Calibration : For air 20°C / 1.2 bar Abs.

For water 20°C