

Needle valves are designed especially for corrosive and dangerous environments. These valves can be used in the process control, instrumentation and flow control application. It is designed with maximum efficiency in order to provide high quality and low cost in various liquid and gas control system.



ELX NEEDLE VALVE

ELX-FF
ELX-MF

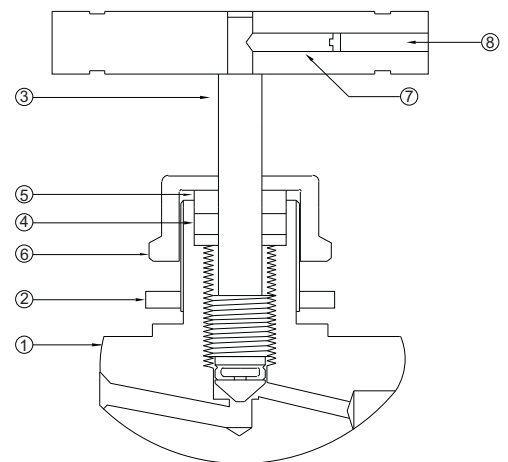
Advantages :

- * Stainless steel
- * Weldness Single Part Body
- * Polished Axis
- * Max. 400 bar
- * Max. 560°C

Technical Specification:

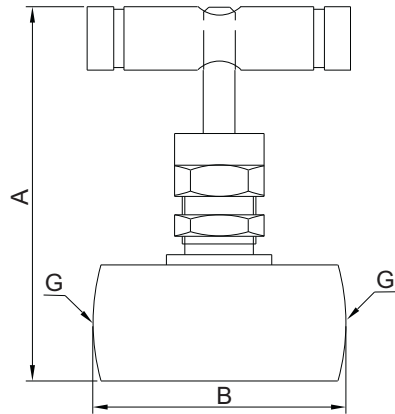
Body Material	316. Stainless Steel
Nut Material	316. Stainless Steel
Shaft Material	316. Stainless Steel
Stuffing Material	PTFE / Graphoil
Washer Material	316. Stainless Steel
Stuffing Box Material	316. Stainless Steel
Screw Material	Steel Plate
Arm Material	Stainless Steel
Max.Working Pressure	400 bar
Max.Working Temperature	260°C (At 280 bar) 538°C With Graphoil Stuffing (At 100 bar)

- 1- Body
- 2- Nut
- 3- Shaft
- 4- Stuffing
- 5- Washer
- 6- Therad
- 7- Screw
- 8- Handle Arm



G	Connection	1/4"BSP	3/8"BSP	1/2"BSP	3/4"BSP	1"BSP
A	ELX - MF	55	55	73	80	88
B	ELX - MF	69	69	83	89	102
A	ELX - FF	50	50	68	70	80
B	ELX - FF	69	69	83	89	102
Orifice		3.5	3.5	4.5	6.4	9.5
CV		0.31	0.31	0.52	1.40	2.40

ELX-FF



ELX-MF

