

ELX is a mounting equipment for pressure sensors mounting to process. It is used to prevent sensors damages from high temperature process fluids and to cool the sensors. It is manufactured from stainless steel bar stock material.



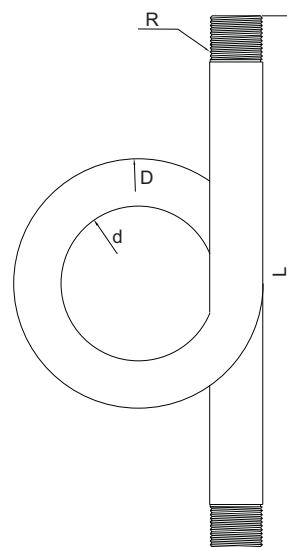
ELX PRESSURE SIPHON

ELX 31 , ELX 32
ELX 41 , ELX 42 , ELX 43 , ELX 44

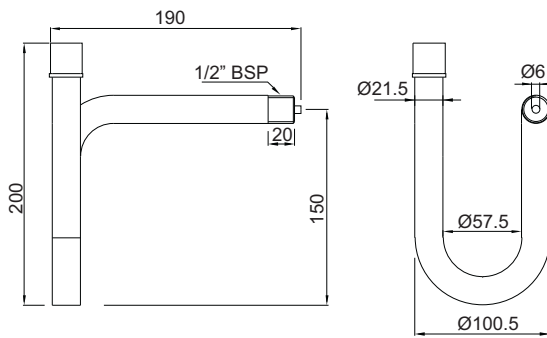
Advantages :

- * Stainless Steel
- * Weldness Single Part Body
- * Max. 30 bar
- * Max. 250°C

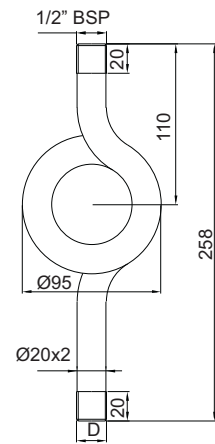
Model	ELX 41	ELX 42
Material	304 Stainless Steel	304 Stainless Steel
Max.Working Pressure	30 bar	30 bar
Max.Working Temperature	250°C	250°C
Lenght	180 mm	240 mm
Connection	1/4"BSP	1/2"BSP



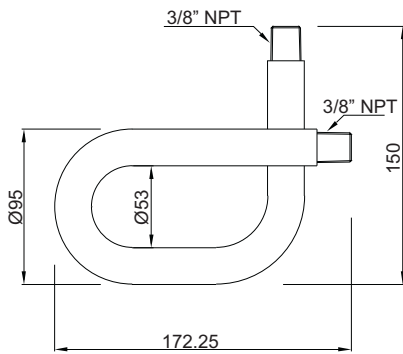
Model	ELX 31
Material	ST 37
Max.Working Pressure	60 bar
Max.Working Temperature	300°C
Lenght	200 mm
Connection	1/2" BSP



Model	ELX 32
Material	ST 37
Max.Working Pressure	16 bar
Max.Working Temperature	250°C
Lenght	240 mm
Connection	1/2" BSP



Model	ELX 43
Material	304 Stainless Steel
Max.Working Pressure	30 bar
Max.Working Temperature	250°C
Lenght	250 mm
Connection	3/8" NPT



Model	ELX 44
Material	304 Stainless Steel
Max.Working Pressure	30 bar
Max.Working Temperature	250°C
Lenght	250 mm
Connection	1/2" NPT

