

The economic type level indicators are designed for machine manufactures to control the level of oil or other liquid outside of their vessels / tanks. They can be mounted horizontal or vertical.

Areas of Application :

Hydraulic tanks, pressure tanks, cooling tanks, hydraulic lines and oil tanks.

Technical Specifications : ELD 11 / 12 / 13 / 14 / 15

Connections	1/2" BSP Screwed Adaptor
Connections Material	Steel Op. 304 St.St.
Tube Material	Glass or plexiglass
Max. Working Pressure	5 bar
Max. Working Temp.	100 °C

ELD 11v / 12v / 13v / 14v / 15v

Connections	1/2" BSP Screwed Adaptor
Connections Material	304 Stainless Steel
Material of Ball Valves	304 Stainless Steel
Tube Material	Glass or plexiglass
Max. Working Pressure	5 bar
Max. Working Temp.	100 °C



ELD LEVEL INDICATORS

- ELD 11 , 12 , 13 , 14 , 15
- ELD 11v , 12v , 13v , 14v , 15v
- ELD 21 , 22 , 21p , 22p
- ELD A , B , C
- ELD 30p , 31p , 32p , 33p , 34p , 35p
- ELD 31a , 32a , 33a
- ELD 31m , 32m , 33m , 37m , 38m , 39m
- ELD 31s , 32s , 33s
- ELD 51s , 52s , 53s , 54s , 55s

Advantages :

- * Liquid easily can be discharged by changing valves position.
- * Easy installation
- * Indicator pipe can be chosen as different type of materials
- * Contact can be mounted as option
- * Resistant to high temperatures
- * Basınca dayanıklıdır.
- * Resistant to high pressure



Technical Specifications :

ELD 21 , ELD 22

Transparent Monitoring Pipe	Acrylic Pipe or Borosilicate Glass
O-Rings	NBR, Ops. Viton
Working Temperature	Std. 60 °C (Acrylic) Opt. 180 °C (Glass)
Max. Working Pressure	6 bar
Connection Material and Shafts	304 St. St. Opt. 316 St. St.
Float Ball (Ops.)	304 St. St.

Technical Specifications :

ELD 21p , ELD 22p

Transparent Monitoring Pipe	Acrylic Pipe
Working Temperature	60 °C
Working Pressure	2 bar
Connection Material	U-PVC

Magnetic Contact

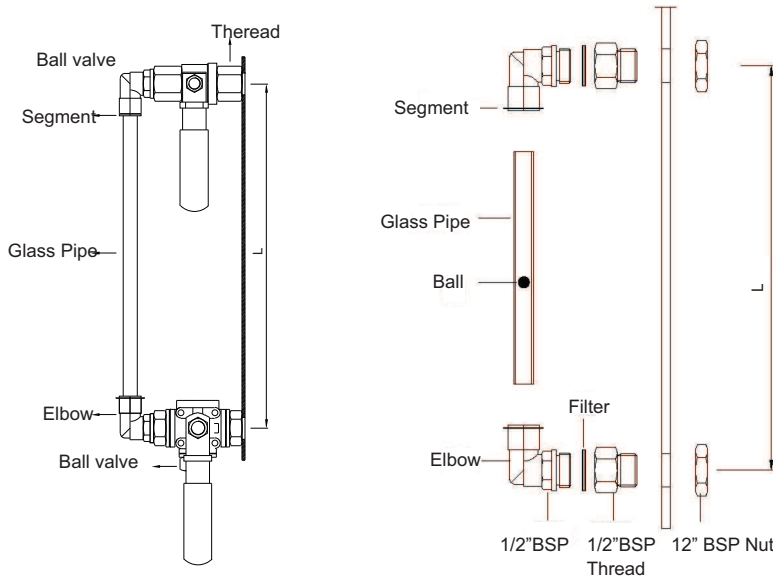


ELD-A / B / C

Model : 30-1-2019-004

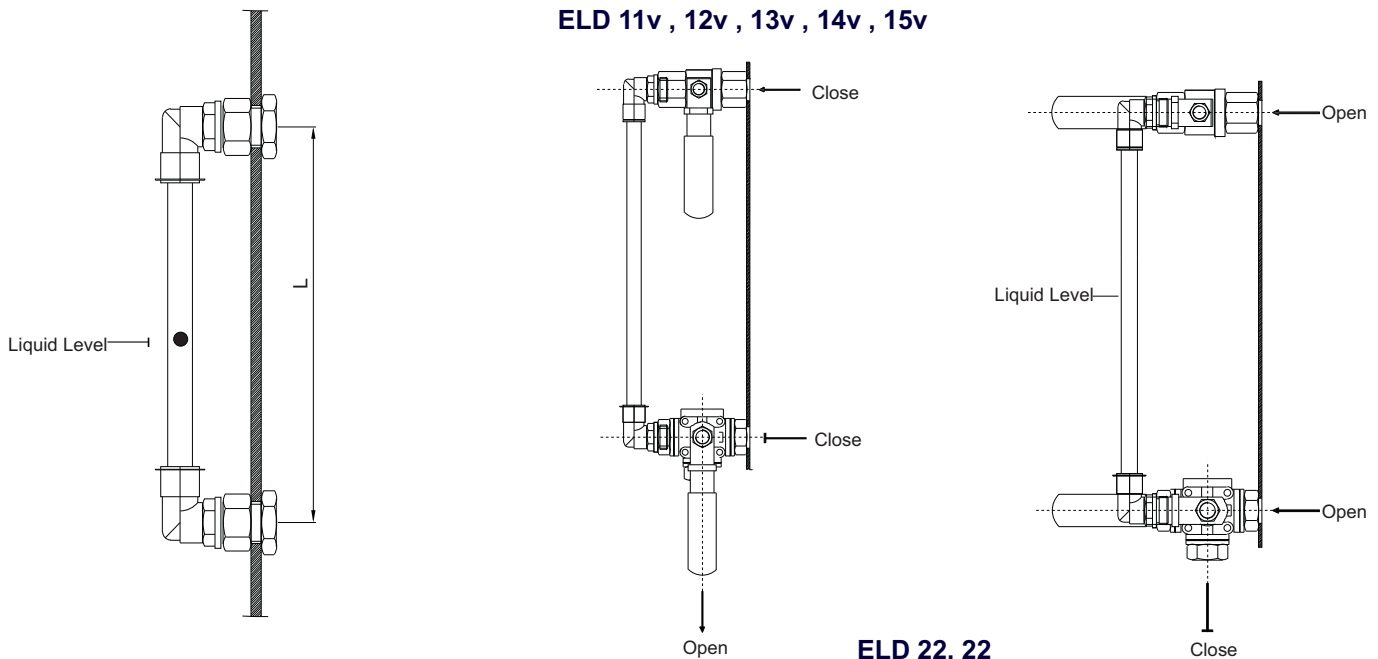
Mounting Type :

ELD 11 , 12 , 13 , 14 , 15



MODEL		SIZE
ELD 11	ELD 11v	L: 100 mm
ELD 12	ELD 12v	L: 250 mm
ELD 13	ELD 13v	L: 500 mm
ELD 14	ELD 14v	L: 750 mm
ELD 15	ELD 15v	L: 1000 mm

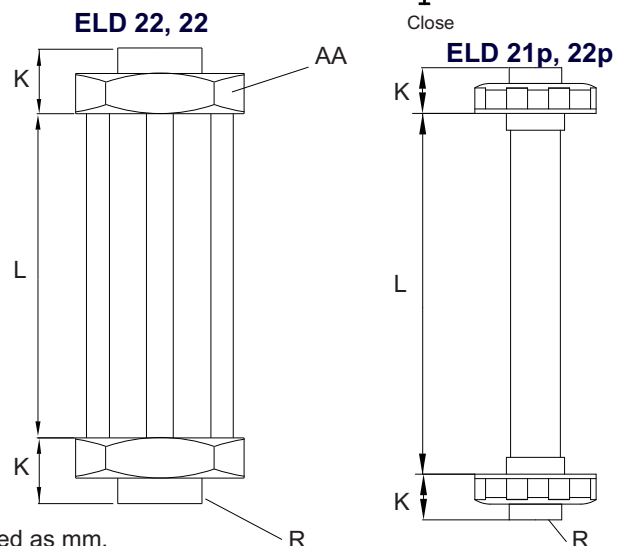
ELD 11v , 12v , 13v , 14v , 15v



MODEL	BSP CONNECTION	L (max.) (mm)	K (mm)	Pipe Dia. (Acrylic)	Pipe Dia. (Glass)	Float Dia.
ELD 21	1/2" BSP	1000	19,5	30	30	20
ELD 22	3/4" BSP	1000	19,5	40	34	30

MODEL	BSP CONNECTION	L (max.) (mm)	K (mm)	Pipe Dia. (Acrylic)	Float Dia.
ELD 21p	R 1/2"	1000	32	20	*
ELD 22p	R 3/4"	1000	36	45	30

* Polycarbonate protection can be implied for the glass pipe models.

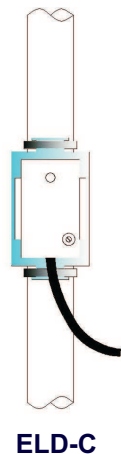
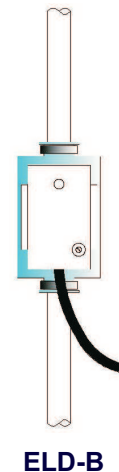
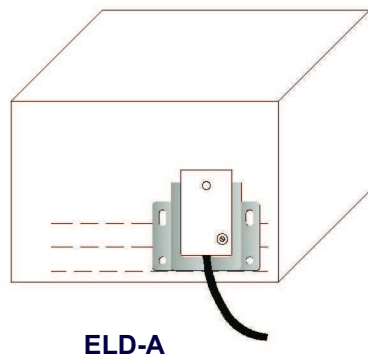


All dimensions are stated as mm.

MAGNETIC CONTACT

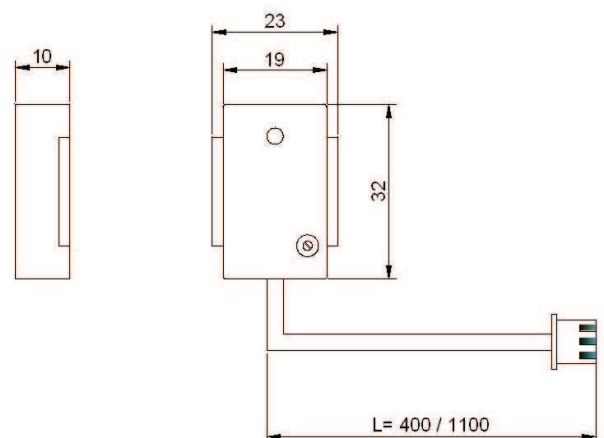
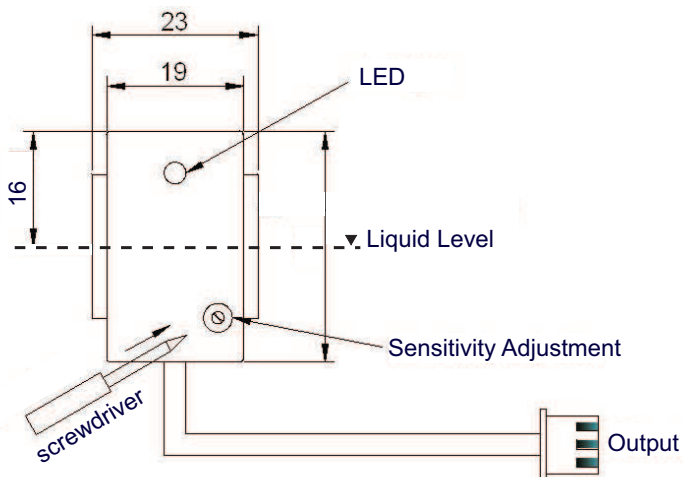
The magnetic contact works according to capacitive working principle and used to receive liquid flow information without any metal parts. Accuracy can be arranged via potentiometer setting and with a led, it gives visual information to users. It can be used as a flow switch. Beside it can be used to take min. and max. contact information.

MAGNETIC CONTACT	
Surface of tank	Max. 10 mm. (ELD-A)
Suitable Pipe	Ø 8 - 12 mm (Thicknes max. 1 mm.) (ELD-B)
Diameter	Ø 12 - 26 mm (Thicknes max. 1.5 mm.) (ELD-C)
Material of Bady	ABS Plastic (Heat resistant) 32 x 19 x 10 mm
Protection Class	IP 66
Weight	70 g.
Leght of Cable	2 m.
Working Temp.	60 °C
Supply	12...24 VDC
Load	300 mA max.
Color	Black
Display	LED
Response time	0,5 sec.
Output	NPN - NO



Electrical Connection :

ELD-A

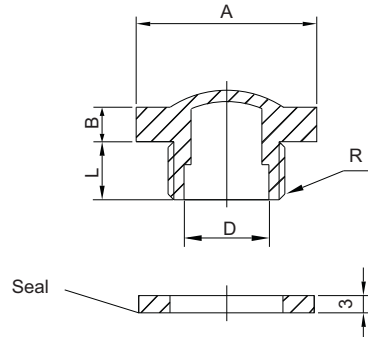


Dimensions :

Plastic Type:

Material	Transparent Plastic
Seal Material	NBR
Max. Working Pressure	2 bar
Max. Working Temperature	60 °C
Display Material	Plexiglass

Model	Connection (R)	A (mm)	B (mm)	L (mm)
ELD 30p	1/4" BSP	18.4	5.1	7.5
ELD 31p	1/2" BSP	32.25	6.6	10
ELD 32p	3/4" BSP	36	7.5	12.2
ELD 33p	1" BSP	41.2	7.7	12.5
ELD 34p	1 1/2" BSP	62.3	8.2	13.5
ELD 35p	2" BSP	70.5	8.5	17.3



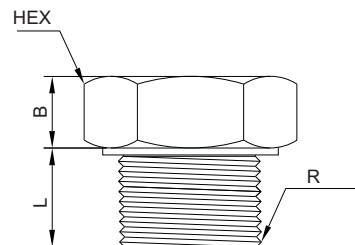
ELD 30p , 31p , 32p , 33p , 34p, 35p



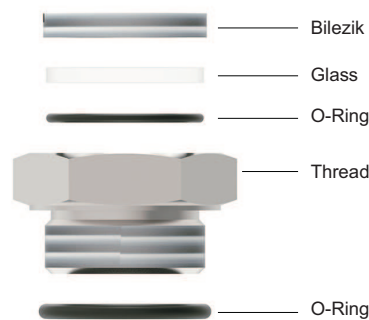
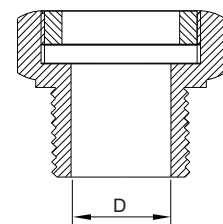
Aluminium Type:

Body Material	Steel, Nickel Voated
Seal Material	NBR Opt.PTFE/Viton
Max. Working Pressure	15 bar
Max. Working Temperature	80 °C Opt. 150 °C
Display Material	Glass

Model	Connection (R)	HEX (mm)	B (mm)	D (mm)	L (mm)
ELD 31a	1/2" BSP	27	10		10
ELD 32a	3/4" BSP	32	10		12
ELD 33a	1" BSP	38	10		12



ELD 31a , 32a , 33a

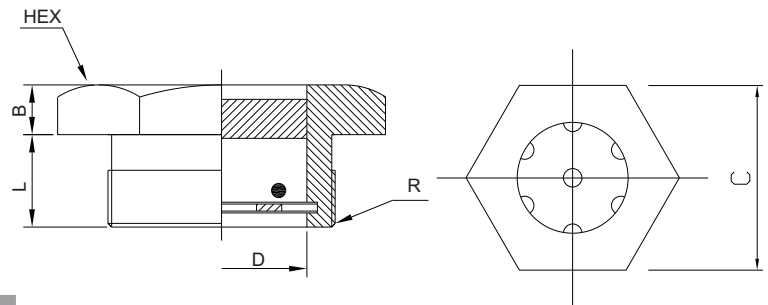


All dimensions are stated as mm.

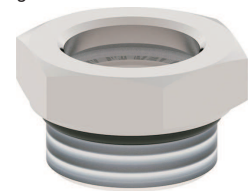
Steel Type:

Body Material	Steel, Nickel Voated
Seal Metarial	NBR (Opt.PTFE / Viton)
Max. Working Pressure	15 bar
Max. Working Temperature	80 °C Opt. 150 °C
Display Material	Glass - Stick to the metal

Model	Connection (R)	HEX (mm)	B (mm)	D (mm)	L (mm)
ELD 31m	1/2" BSP	27	10		10
ELD 32m	3/4" BSP	32	10		12
ELD 33m	1" BSP	40	10		12
ELD 37m	M24x1	27	10		10
ELD 38m	M28x1.5	32	10		12
ELD 39m	M32x1.5	40	10		12



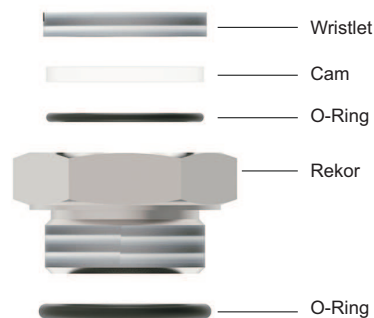
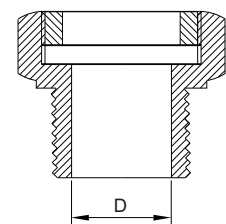
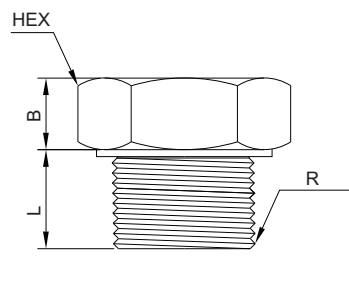
O-Ring



Steel Tpye:

Metarial	304 Stainless Steel (Opt.316 Stainless Steel)
O-ring Metarial	NBR (Ops. Viton)
Max. Working Pressure	15 bar
Max. Working Temperature	80 °C (Ops. 150 °C)
Display Material	Cam

Model	Connection (R)	HEX (mm)	B (mm)	D (mm)	L (mm)
ELD 31s	1/2" BSP	27	11.5	15	13.4
ELD 32s	3/4" BSP	36	12.6	20.5	18
ELD 33s	1" BSP	36	12	23	18



ELD 31s , 32s , 33s

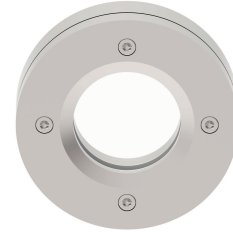


All dimensions are stated as mm.

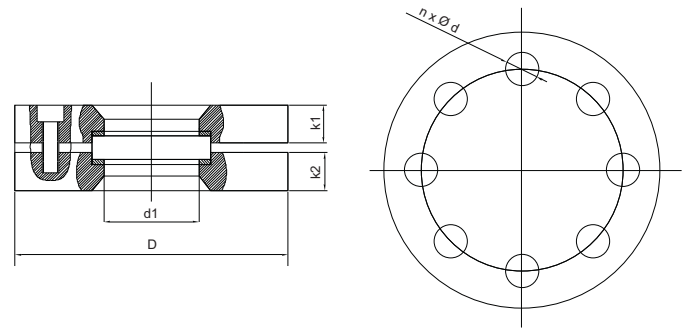
Technical Specifications :

Flange Material	304 St.St. Ops.316 St.St
Bolt Material	304 St.St.
Stamp Material	304 St.St.
Observing Material	Heat Treated Glass
Seal Material	Klingrid Opt. With Metal Wrap
Max. Working Temperature	300 °C
Max. Working Pressure	16 bar Opt. 40 bar

ELD 51s , 52s , 53s , 54s , 55s



Model	Connection	D mm	k1 - k2 mm	n x d mm	d1 mm
ELD 51s	DN 25	115	16-25	4 x M6	40
ELD 52s	DN 40	150	16-25	4 x M8	65
ELD 53s	DN 50	165	16-30	4 x M8	80
ELD 54s	DN 80	200	20-30	8 x M10	100
ELD 55s	DN 100	220	22-30	8 x M10	125



It is used for observing process inside boilers and machines.
It is applied with seal between metal glonges for heat resistance, glasses are heat treated beforehand.

For borosilicate glass, max. temperature is 280 °C appropriate for DIN7080
(Depends on thickness of glass.)

For sodium silicate glass, max. temperature is 150 °C appropriate for DIN7080
(Depends on thickness of glass.)

Max. Pressure 40 bar (Depends on thickness of glass.)

Areas of Application :

Hydraulic tanks, compressed tanks, water tanks, generators,
hydraulic lines, pipe lines.



MODEL	DİAMETER mm	THICKNESS mm	MAX. PRESSURE
ELD-50-5	50	5	8 bar
ELD-50-10	50	10	25 bar
ELD-80-10	80	10	10 bar
ELD-95-10	95	10	8 bar
ELD-100-10	100	10	7 bar
ELD-120-15	120	15	10 bar
ELD-150-15	150	15	8 bar
ELD-200-19	200	19	8 bar
ELD-220-19	220	19	4 bar
ELD-250-15	250	15	2 bar
ELD-250-19	250	19	4 bar

Technical Specifications :

Max. Temperature	For 10 mm 200 °C
	For 15 mm 250 °C
	For 19 mm 280 °C
Max. Pressure	40 bar

