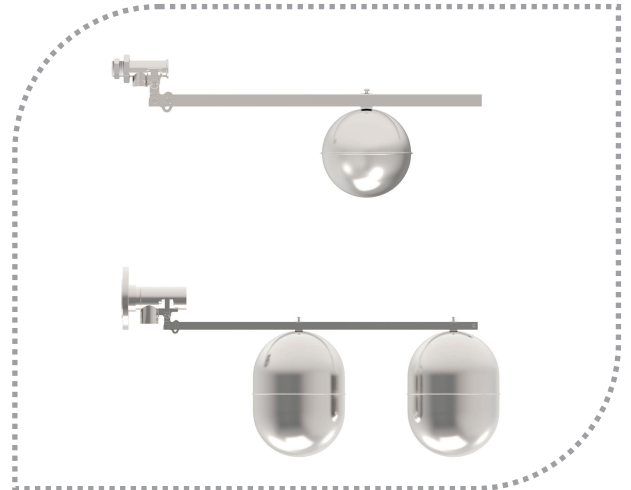


It is used checking liquid level in the tanks. Length of float can be adjusted with the arm, which is designed horizontally and vertically with the arm, with closed design. Valve is closed by increasing liquid level by using temperature resistance isolation material or on the contrary, valve is opened and starts to discharge with increase in the liquid level. When level decreases, valve is closed. Special connection and models can be made. Seal material can be selected in compliance with special liquids (oil, petrol, food fluids).



Technical Specification:

Body material	304 St. St. Opt. 316 St.St.
Piston bracket material	304 St. St. Opt. 316 St.St.
Piston material	304 St. St. Opt. 316 St.St.
Pipe not, washer material	304 St. St. Opt. 316 St.St.
Seal material	Viton
Max. working pressure	200 °C
Max. working temperature	2 bar...10 bar

ELV FLOAT VALVE

ELV 00 , ELV 08
ELV 10 , ELV 12 , ELV 15
ELV 16 , ELV 18
ELV 21 , ELV 31 , ELV 41 , ELV 51 , ELV 52

ELV 41f , ELV 51f
ELV 65f , ELV 81f , ELV 101f

Advantages :

- * Special models can be produced according to demand.
- * Models with shorter valve arm can be produced.
- * Seal, which is resistant to oil, petrol or materials in the food sector.
- * Stainless steel

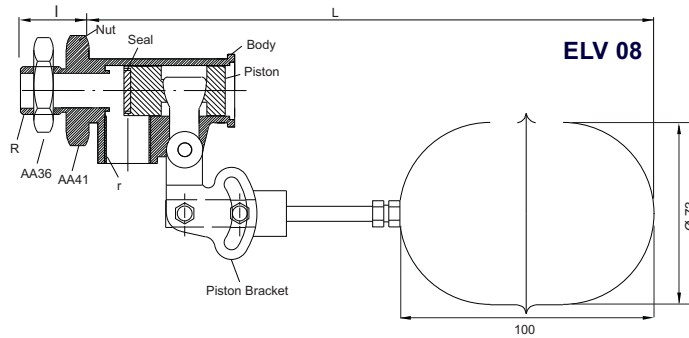


Areas of application :

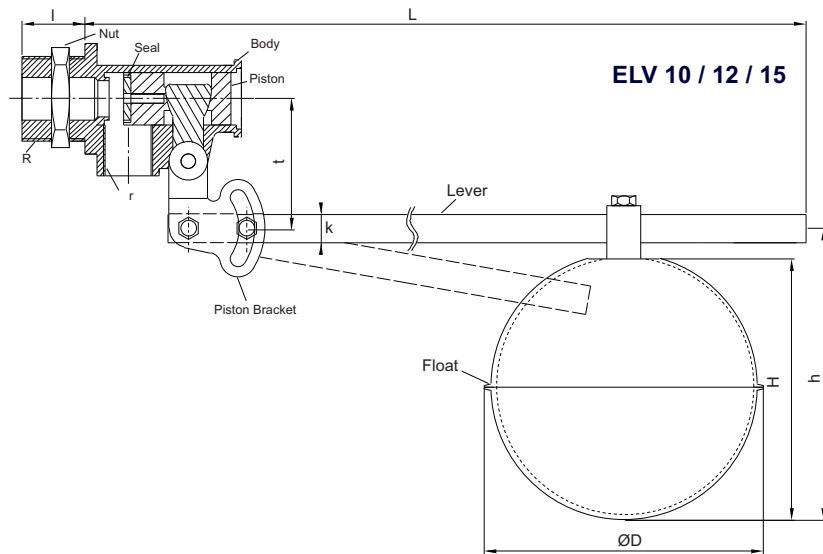
Tank, fire-fighting water tanks, for controlling the tanks which are in without electricity environment, condensate, tanks, food storage tanks, etc.

Specification:

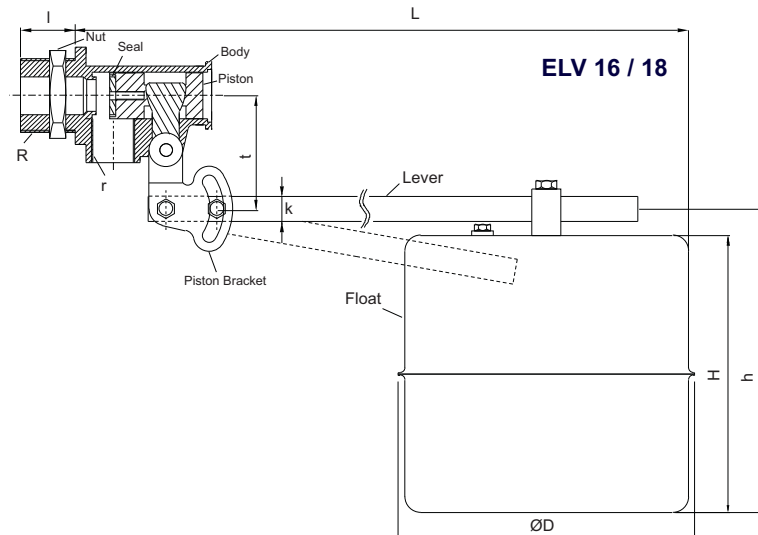
Model	ELV 08
Connection	BSP 1/2" + Nut
Max. flow range	1.8 m ³ /h
Working pressure	Max. 2 bar
Weight	Max. 0.7 kg



Model	ELV 10/12/15
Connection	3/4" BSP + Nut
Max. flow range	3.5 m ³ /h
Working pressure	Max. 10 bar
Weight	Max. 1.6 kg



Model	ELV 16/18
Connection	3/4" BSP + Nut
Max. flow range	3.5 m ³ /h
Working Pressure	Max. 8 bar
Weight	Max. 2.5 kg



Dimensions :

Model	Float ØD	H	L	h	l	k	t	R	r
ELV 10	Spherical Ø 100 , V10	100	610	110	25	20	53.5	3/4" BSP	1/2" BSP
ELV 12	Spherical Ø 125 , V12	125	610	135	25	20	53.5	3/4" BSP	1/2" BSP
ELV 15	Spherical Ø 150 , V15	150	610	160	25	20	53.5	3/4" BSP	1/2" BSP
ELV 16	Cylindrical Ø 180 ,V16	150	610	160	25	20	53.5	3/4" BSP	1/2" BSP
ELV 18	Cylindrical Ø 180 ,V18	180	610	190	25	20	53.5	3/4" BSP	1/2" BSP

All dimensions are stated as mm.

Specification:

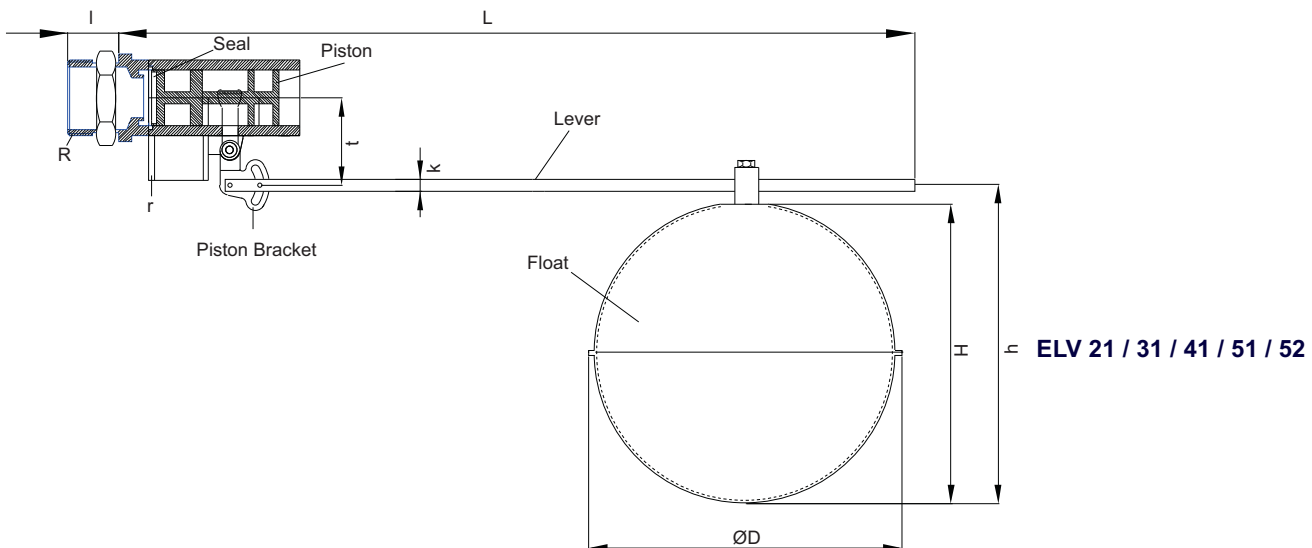
Model	ELV 21	ELV 31	ELV 41	ELV 51
Connection	1" BSP + Nut	1 1/4" BSP+ Nut	1 1/2" BSP + Nut	2" BSP + Nut
Max. flow range	6 m ³ /h	9 m ³ /h	12.5 m ³ /h	16.5 m ³ /h
Working pressure	Max. 6 bar	Max. 6 bar	Max. 5 bar	Max. 5 bar
Weight	Max. 2,6 kg	Max. 2,8 kg	Max. 3,4 kg	Max. 3,5 kg

Important Note :

If you mounted the level switch so close to the pump , you must extend the arm or increase the number of the balls

Dimensions :

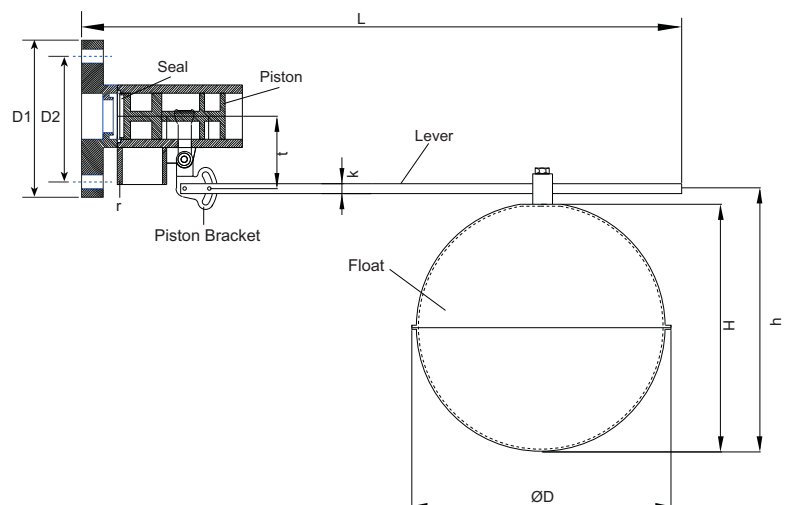
Model	Float ØD	H	L	h	l	k	t	R	r
ELV 21	Cylindrical Ø 180 , V18	180	660	190	25	20	65.5	1" BSP	1" BSP
ELV 31	Spherical Ø 240 , V24	280	660	290	25	20	65.5	1 1/4" BSP	1" BSP
ELV 41	Spherical Ø 240 , V24	280	905	290	25	20	73.5	1 1/2" BSP	1 1/4" BSP
ELV 51	Spherical Ø 240 , V24	280	905	290	25	20	73.5	2" BSP	1 1/4" BSP
ELV 52	Spherical Ø 240 , V24	280	905	290	25	20	73.5	2" BSP	1 1/2" BSP



Specification:

ELV 41f / 51f

Model	ELV 41f	ELV 51f
Connection	1 1/2" Flanged	2" Flanged
Max. flow range	12.5 m ³ /h	16.5 m ³ /h
Working pressure	Max. 5 bar	Max. 5 bar
Weight	Max. 3,4 kg	Max. 3,5 kg



Important Note :

If you mounted the level switch so close to the pump , you must extend the arm or increase the number of the balls

Dimensions :

Model	Float ØD	H	L	h	t	k	D1	D2	r
ELV 41f	Spherical Ø 240 , V24	280	905	290	73.5	20	150	110	1 1/4" BSP
ELV 51f	Spherical Ø 240 , V24	280	905	290	73.5	20	165	125	1 1/4" BSP

All dimensions are stated as mm.

Specification:

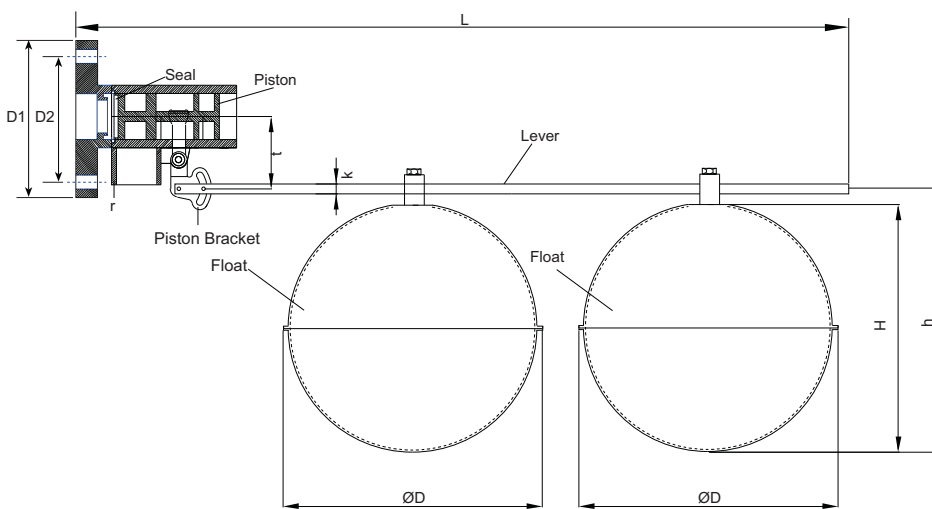
Model	ELV 65f	ELV 81f	ELV 101f
Connection	2 1/2 " Flanged	3" Flanged	4" Flanged
Max. flow range	20 m ³ /h	35 m ³ /h	50 m ³ /h
Working pressure	Max. 3 bar	Max. 3 bar	Max. 3 bar
Weight	Max. 8 kg	Max. 10.5 kg	Max. 12 kg

Important Note :

If you mounted the level switch so close to the pump , you must extend the arm or increase the number of the balls

Dimensions :

Model	Float ØD	H	L	h	t	k	D1	D2	r
ELV 65f	Spherical Ø 240 , V24 - 2 pcs	280	1250	290	73.5	20	185	145	1 1/2" BSP
ELV 81f	Spherical Ø 240 , V24 - 2 pcs	280	1250	290	73.5	20	200	180	2" BSP
ELV 101f	Spherical Ø 240 , V24 - 2 pcs	280	1250	290	73.5	20	220	180	3" BSP

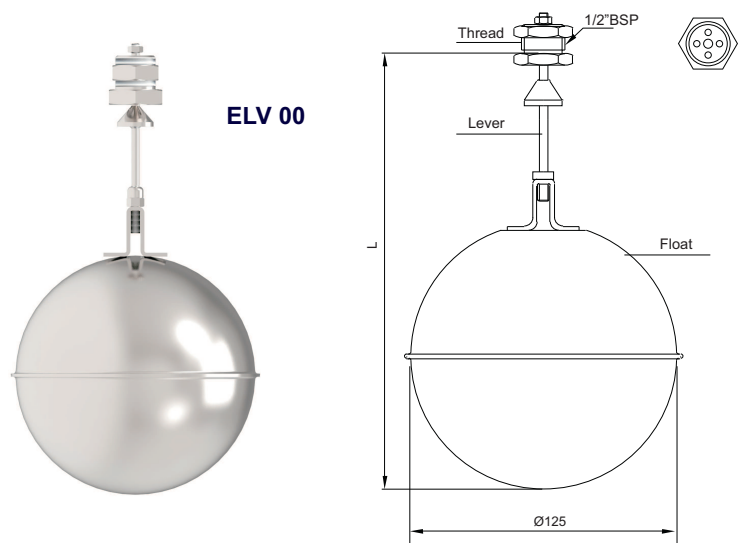


ELV 65f / 81f / 101f

Working Principle:

ELV00 is used for liquid controlling in tanks. It s designed for vertical mounting and float height adjustable. When the liqui level goes up, transition point closes or vice versa opens. When the liquid level goes down the progression changes location connections and types can be custommade according to cusmoters needs. It s especially usefel to use low control.

Model	ELV 00
Connection	1/2" BSP + Nut
Max. flow range	0.5 m ³ /h
Working pressure	Max. 10 bar
Weight	Max. 0.7 kg



ELV 00

All dimensions are stated as mm.

Order Form : **Please consider sample models when coding!..**

1 MODEL

ELV 00	ELV 21	ELV 41f
ELV 08	ELV 31	ELV 51f
ELV 10	ELV 41	ELV 65f
ELV 12	ELV 51	ELV 81f
ELV 15		ELV 101f
ELV 16		
ELV 18		

2 CERTIFICATE

None.....0	(EN10204-3-1) Material Certification1
------------	---

3 BODY and FLOAT MATERIAL

304 St. St.01	316 St. St02
	Special.....X

4 NUMBER OF FLOAT

Single Float..... (Std.).....1	Double Float.....2
	Special.....X

5 SEAL MATERIAL

Vitton.....82	Special.....X
---------------	---------------

6 INPUT CONNECTION

1/2" BSP + Nut.....004	DN 40 - PN 16 Flanged.....105
3/4" BSP + Nut.....005	DN 50 - PN 16 Flanged.....106
1" BSP + Nut.....006	DN 65 - PN 16 Flanged.....107
1 1/4" BSP + Nut.....007	DN 80 - PN 16 Flanged.....108
1 1/2" BSP + Nut.....008	DN 100 - PN 16 Flanged.....109
2" BSP + Nut.....009	Special.....X

7 OUTPUT CONNECTION

1/2" BSP004	1 1/4" BSP.....007
3/4" BSP005	1 1/2" BSP.....008
1" BSP006	2" BSP.....009
	3" BSP.....011
	Special.....X

8 OPTIONAL

None...../ 0

Note: Output measurement of sample models can be made standardly.

EXAMPLE

ELV - 18 -0 - 01 - 1 - 82 - 005 - 004 / 0 ELV 18 , R 3/4" , Single Float