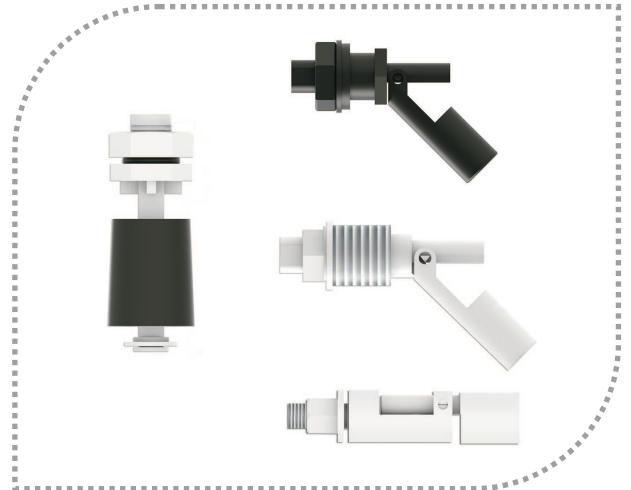


ELP level switches are used for checking level of tank. It is preferred by machine manufacturers, especially in terms of its easy of use and economy.

The ELP level switch can be mounted in little places because of their mini design. The switches are made by stainless steel material and so can be used in various liquids.



**Working Principle :**

When magnetic field of magnet in the float is aligned with reed sensor in the tube, it opens or closes the electric circuit.

When float moves away, sensor reverts back (upon demand, drawn contact may be made). Level information can be assessed with a relay circuit.

**Areas of Application :**

- \* Machines, tanks, boilers, gas and liquid mediums, level measuring, temperature measuring...



**E-GSM Alarm Device - Double Entry**

Battery or and supply  
 2 pcs. Lithium batteries, 12V adaptor (Included)  
 Excluding phone card.

**ELP LEVEL SWITCH**

- ELP 11, ELP 26**
- ELP 31, ELP 32, ELP 32s, ELP 33, ELP 34**
- ELP 81p, ELP 81**
- ELP 02a / 02b / 03a / 03b**
- ELP 04a / 04b / 08a / 08b**

**Advantages :**

- \* Economic.
- \* Practical and easy installation.
- \* Fast delivery.
- \* Plastic material.



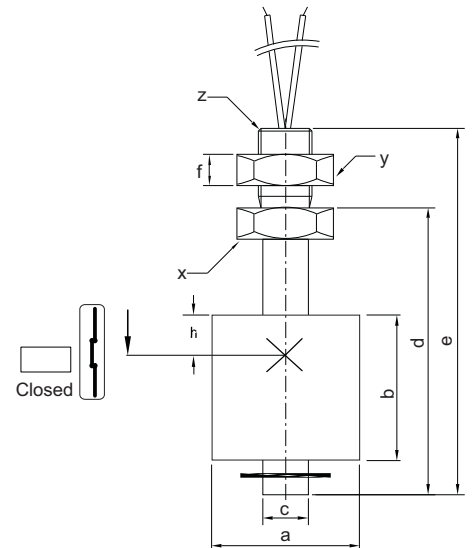
ELP 02a / 02b  
 ELP 03a / 03b  
 ELP 04a / 04b  
 ELP 08a / 08b

ELP 11

Technical Specifications :

Float Material	PP	PP
Wetted Parts Material	PP	PP
Pipe Material	PP	PP
Working Temperature	(-) 40 °C / (+) 80 °C	(-) 20 °C / (+) 80 °C
Max. Pressure (bar)	Atm.	Atm.
Min. Density (g/cm <sup>3</sup> )	0.70 (g/cm <sup>3</sup> )	0.70 (g/cm <sup>3</sup> )
Electrical Connection	Cable	Cable
Number of Float	1 Std.	1 Std.
Number of Contact	SPST - NO	SPST-NO
<b>Contact Current</b>	0,7 A	1 A
<b>Max. Contact Power</b>	10 W / VA	10 W / VA
<b>Max.Switching Voltage</b>	180 VDC / 130 VAC	180 VDC / 130 VAC

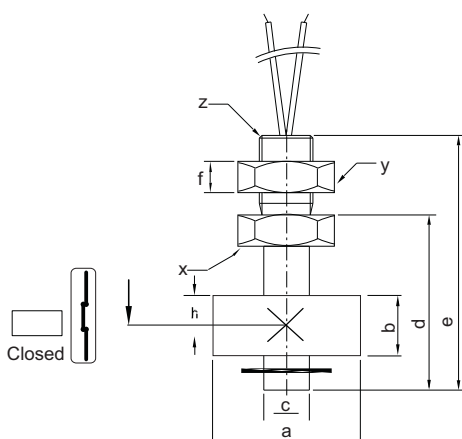
ELP 03a / 03b / 04a / 04b / 08a / 08b



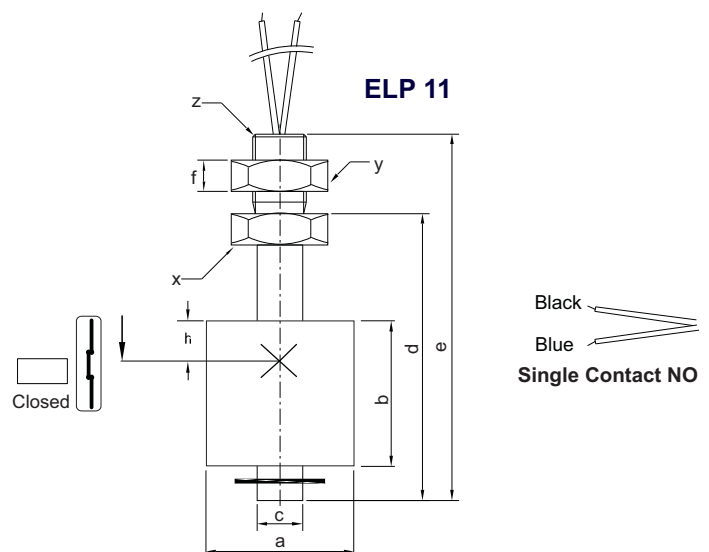
MODEL	ELP 02a ELP 02b Cylindric	ELP 03a ELP 03b Cylindric	ELP 04a ELP 04b Cylindric	ELP 08a ELP 08b Cylindric	ELP 11 Cylindric
a	Ø 18	Ø 19 / Ø 24	Ø 24	Ø 24	20
b	6	16	16	22	26
c	7	7	7	8,4	8.5
d	20	31	41	85	44
e	30	43	54	104	55
f	7	7	7	8	6
x	12AA	13AA	13AA	16AA	17AA
y	13AA	13AA	13AA	16AA	17AA
z	M8 x 1,55 mm <sup>2</sup>	M8 x 1,25 mm <sup>2</sup>	M10 x 1,25 mm <sup>2</sup>	M10 x 1,25 mm <sup>2</sup>	1/8" BSP

All dimensions are given in mm.

ELP 02a / 02b

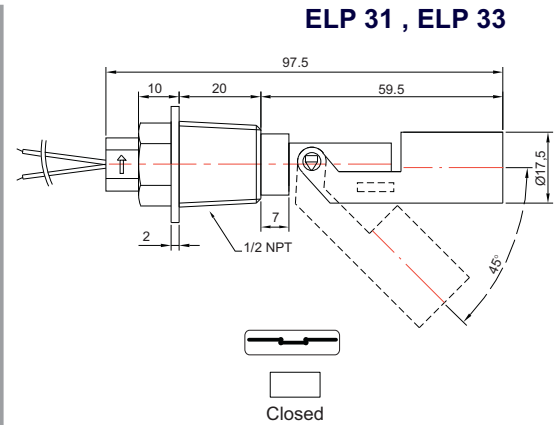


ELP 11

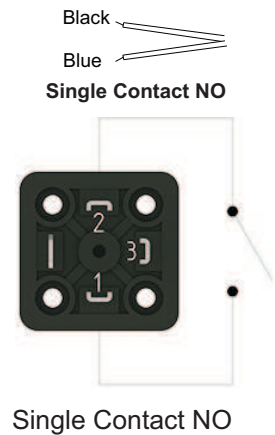
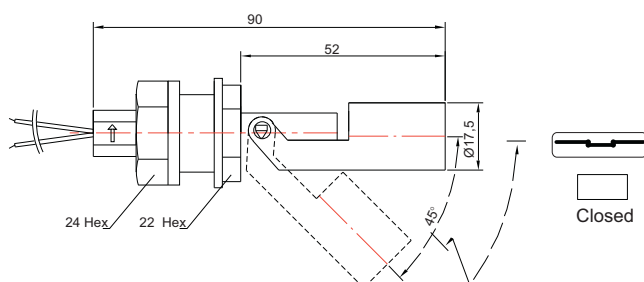
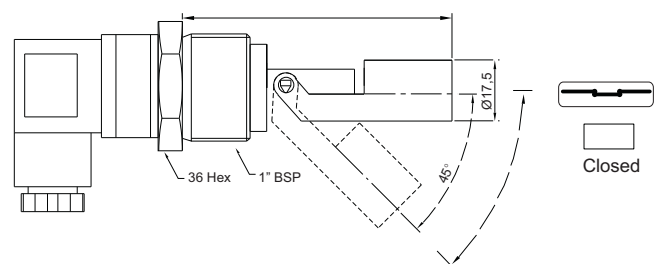


**Technical Specifications :**
**ELP 31**
**ELP 33**

Float Material	PP	PVDF
Wetted Parts Materi	PP	PVDF
Float Type	P10	P10
Working Temperature	(-) 20 °C / (+) 80 °C	(-) 30 °C / (+) 120 °C
Mechanical Connection	1/2" NPT	1/2" NPT
Max. Pressure	4 bar	2 bar
Min. Density	0.75 (g/cm <sup>3</sup> )	0.85 (g/cm <sup>3</sup> )
Electrical Connection	Cable	Cable
Number of Float	1 Std.	1 Std.
Number of Contact	1 x SPST - NO	1 x SPST - NO
<b>Contact Current</b>	1 A	1 A
<b>Max. Contact Power</b>	10 W / VA	10 W / VA
<b>Max.Switching Voltage</b>	200 VDC / 140 VAC	200 VDC / 140 VAC


**ELP 32**
**ELP 34**
**ELP 32s**

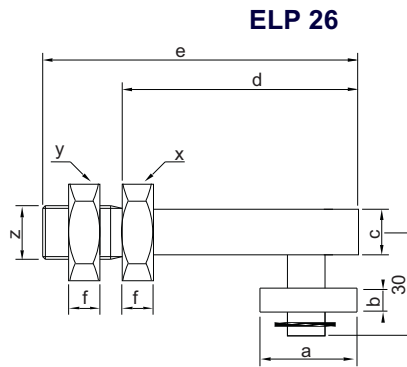
Float Material	PP / PBT	PVDF	PP
Wetted Parts Materi	PP / PBT	PVDF	PP
Float Type	P10	P10	P10
Working Temperature	(-) 20 °C / (+) 80 °C	(-) 30 °C / (+) 120 °C	(-) 20 °C / (+) 80 °C
Mechanical Connection	M16	M16	1" BSP
Max. Pressure	4 bar	4	4 bar
Min. Density	0.75 (g/cm <sup>3</sup> )	0.75 (g/cm <sup>3</sup> )	0.75 (g/cm <sup>3</sup> )
Electrical Connection	Cable	Cable	DIN43650C Socket, P03
Number of Float	1 Std.	1 Std.	1 Std.
Number of Contact	SPST - NO	1 x SPST - NO	SPST - NO
<b>Contact Current</b>	0,7 A	1 A	1 A
<b>Max. Contact Power</b>	10 W / VA	10 W / VA	10 W / VA
<b>Max.Switching Voltage</b>	180 VDC / 130 VAC	200 VDC / 140 VAC	180 VDC / 130 VAC


**ELP 32 , ELP 34**

**ELP 32s**


All dimensions are given in mm.

**Technical Specifications :** **ELP 26**

Float Material	PP
Wetted Parts Materi	PP
Float Type	P10
Working Temperature	(-) 20 °C / (+) 80 °C
Mechanical Connection	Atm
Max. Pressure (bar)	4 bar
Min. Density	0.70 (g/cm <sup>3</sup> )
Electrical Connection	Cable
Number of Float	1 Std.
Number of Contact	1 x SPST - N0
<b>*Contact Current</b>	0.7 A
<b>*Max. Contact Power</b>	10 W / VA
<b>*Max.Switching Voltage</b>	180 VDC / 130 VAC



MODEL Dimension	ELP 26 Cylindric
a	Ø 25
b	10
c	8
d	40
e	55
f	6
x	16AA
y	15AA
z	M10 x 1,55 mm <sup>2</sup>

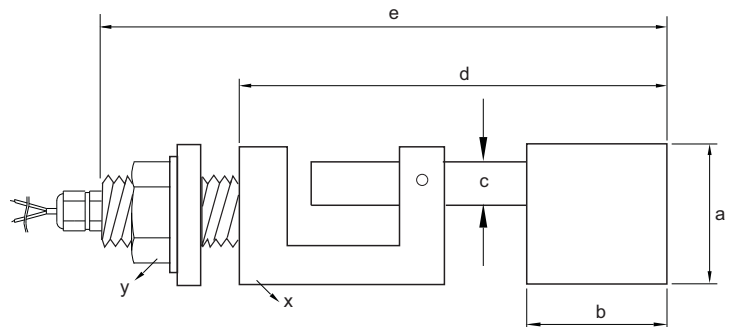
**ELP 81**

**ELP 82**

Float Material	Delrin	PVDF
Wetted Parts Materi	Delrin	PVDF
Float Type	Delrin	PVDF
Working Temperature	(-) 20 °C / (+) 80 °C	(-) 20 °C / (+) 120 °C
Mechanical Connection	1/2" BSP	
Max. Pressure	10 bar	
Min. Density	0.70 (g/cm <sup>3</sup> )	
Electrical Connection	3x1 mm <sup>2</sup> PVC	
Number of Float	1	
Number of Contact	1 x SPST - NO / NC	
<b>*Contact Current</b>	3 A	
<b>*Max. Contact Power</b>	50 W / VA	
<b>*Max.Switching Voltage</b>	500 VDC / 350 VAC	

MODEL Dimension	ELP 81 Cylindric
a	Ø 44
b	50
c	14
d	152
e	200
f	34
x	Ø 44
y	34AA
z	R 1/2"

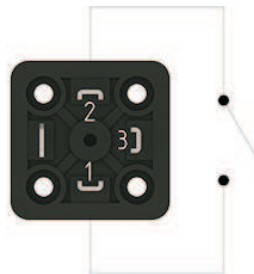
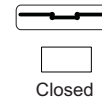
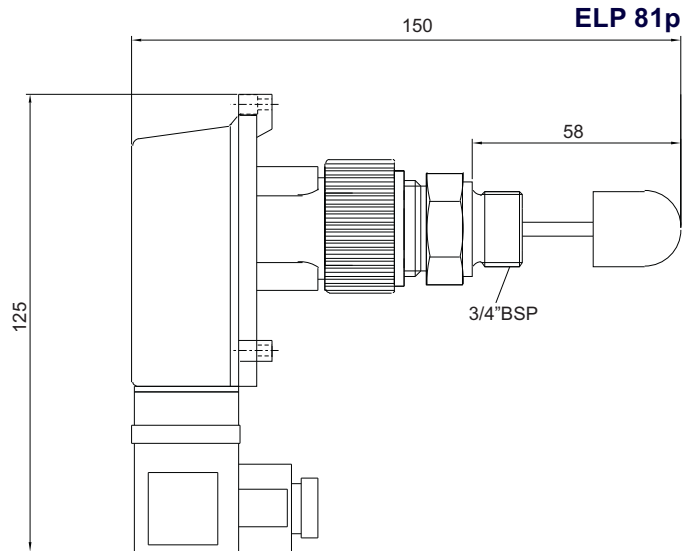
**ELP 81 / ELP 82**



All dimensions are given in mm.

**Technical Specifications : ELP 81p**

Float Material	PP
Wetted Parts Material	PP
Pipe Material	PP
Float Type	P81
Working Temperature	(-) 20 °C / (+) 80 °C
Mechanical Connection	3/4" BSP
Max. Pressure (Bar)	10 bar
Min. Density (g/cm <sup>3</sup> )	0.75 (g/cm <sup>3</sup> )
Electrical Connection	DIN43650C Socket
Number of Float	1 Std.
Number of Contact	1 x SPST x NO
<b>*Contact Current</b>	1 A
<b>*Max. Contact Power</b>	10 W / VA
<b>*Max.Switching Voltage</b>	200 VDC / 140 VAC



Single Contact NO

**LEVEL CONTROL DEVICE**

**SK-P2**

Power Supply	220 VAC, 2.8 VA
Output	2 pcs. 5 A / 250 VAC Relay (Start/Stop)
Working Temperature	(-) 20 °C / (+) 70 °C
Dimensions	72 mm x 72 mm
Input	Contact Information , coming from ELP
Isolation	Input and output are isolated



SK-P2  
72 mm x 72 mm

## Order Form : Please consider sample models when coding !

### 1 MODEL ELP

Vertical Type, Ø 18 mm , L= 20 mm, Open at Bottom.....02a	Horizontal Type, L= 80 mm, 1/2" NPT , PP.....31
Vertical Type, Ø 18 mm , L= 20 mm, Closed at Bottom..02b	Horizontal Type, L= 80 mm, 1/2" NPT , PVDF.....33
Vertical Type, Ø 19 mm , L= 31 mm, Open at Bottom.....03a	Horizontal Type, L= 52 mm, M16 , PP.....32
Vertical Type, Ø 19 mm , L= 31 mm, Closed at Bottom..03b	Horizontal Type, L= 52 mm, 1" BSP, PP.....32s
Vertical Type, Ø 24 mm , L= 41 mm, Open at Bottom.....04a	Horizontal Type, L= 40 mm, M10 , PP.....26
Vertical Type, Ø 24 mm , L= 41 mm, Closed at Bottom...04b	Horizontal Type, L= 152 mm, 1/2" BSP , Delrin.....81
Vertical Type, Ø 24 mm , L= 85 mm, Open at Bottom.....08a	Horizontal Type, L= 152 mm, 1/2" BSP , PVDF.....82
Vertical Type, Ø 24 mm , L= 85 mm, Closed at Bottom..08b	Horizontal Type, L= 58 mm, 3/4" BSP , PP.....81p
Vertical Type, Ø 20 mm , L= 44 mm, NO.....11	

### 2 CERTIFICATE

None.....0	(EN10204-3-1) Material Certification ..... 1
------------	--

### 3 CONNECTION

1/8" BSP.....001	M8 x 1.25 mm <sup>2</sup> .....078	Special.....x
1/2" BSP..... 004	M8 x 1.55 mm <sup>2</sup> .....079	
3/4" BSP..... 004	M10 x 1.25 mm <sup>2</sup> .....080	
1" BSP.....006	M16 x 1,5 mm <sup>2</sup> .....084	
1/2" NPT..... 054		

### 4 MATERIAL

PP.....62	PVDF.....64
Delrin.....63	Special.....x

### 5 CABLE LENGTH

30 cm (Std.).....001	Special.....x
----------------------	---------------

### 6 CONTACT

NO Reed Relay.....06	NO / NC Reed Relay.....08
NC Reed Relay.....07	Special.....x

### 7 ELECTRICAL CONNECTION

PVC Cable (Max. 60 °C).....80	Silicon Cable (Max.105 °C).....82
PVC Cable (Max. 105 °C).....81	Polyamide Big Socket 01.....50
	Special.....x

### 8 OPTIONAL

None...../ 0	Level Control Device...../ SK-P2
E-GSM Device...../ E-GSM	Level Relay , 24 VDC - 5 A...../ ESR 24
	Level Relay , 220 VAC - 8 A...../ ESR 220
	Special.....x

### SAMPLE

ELP 31 - 0 - 004 - 62 - 001 - 06 - 80 / 0

Plastic Level Switch ELP 31, 30 cm With Cable , NO Contact , PP