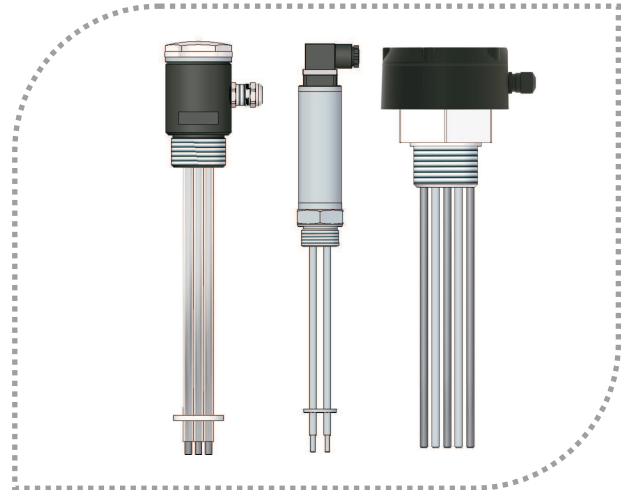


ELC level switches are used for checking liquid level of tanks and boilers. As it does not have any movable part, it can be used in the critical ambient and in the liquids with solid particle, low density and high viscosity.

Working Principle:

When liquid level comes to the level of isolated electrode, current passage starts or stops between electrode and liquid. Strengthened this AC current may be assessed with a relay circuit.



ELC LEVEL SWITCH

Conductivity Type

- ELC m21, ELC m31
- ELC 21m, ELC 31m, ELC 41m, ELC 51m
- ELC 21, ELC 31, ELC 41
- ELC 21p, ELC 31p, ELC 41p, ELC 51p

Advantages :

- * Economical
- * Easy to install
- * No moving parts



Areas of Application :

It is an economic and safe solution for air pressure tank applications, water level control of steam boilers and conductive tanks.

LEVEL CONTROL RELAY



SK-P3
4 pcs. 5 A
Independent Relay

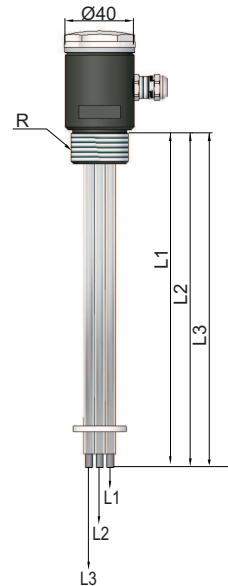


SK-P4
1 pc. 5 A Start - Stop Relay
+
2 pcs. 5 A Min. - Max. Relay

Model: 24-2019-005

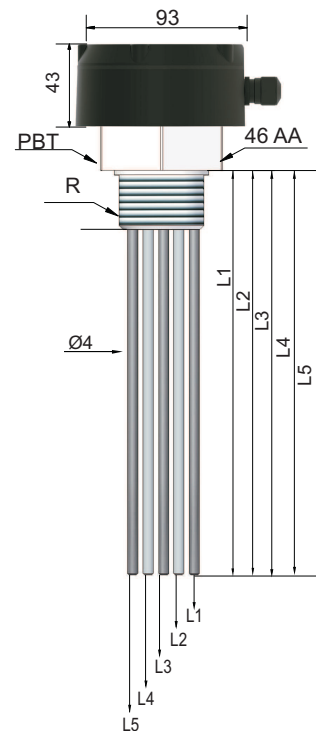
Technical Specifications:

Electrode Material	304 Stainless Steel Opt. 316 Stainless Steel
Isolation of Electrode	Special Tubing
Connection Material	Delrin
Housing	Delrin
Max. Working Temp.	60 °C
Max. Working Pressure	6 bar
Number of Electrode	Max. 3
Voltage Probe	Max. 6 VAC
Mechanical Connection (R)	1" BSP (Std)
Electrical Connection	PG 7

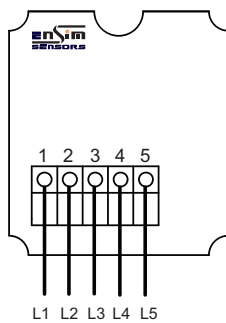


ELC 21d , ELC 31d

Electrode Material	304 Stainless Steel Opt. 316 Stainless Steel
Isolation of Electrode	PBT Opt. PVDF
Connection Material	PBT Opt. PVDF
Housing	Plastic
Max. Working Temp.	100 °C Ops.120 °C
Max. Working Pressure	10 bar
Number of Electrode	Max. 5
Voltage Probe	Max. 6 VAC
Mechanical Connection (R)	1" BSP (Std)
Electrical Connection	PG 7 - Terminal

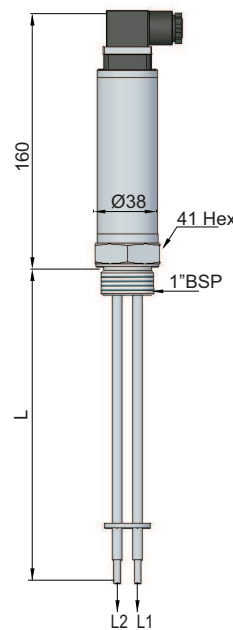


**ELC 21m , ELC 31m
ELC 41m , ELC 51m**

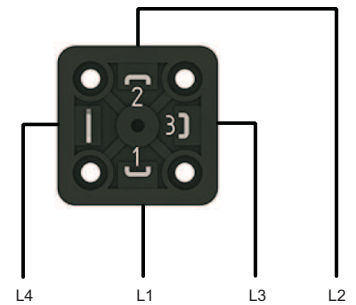


Technical Specifications:

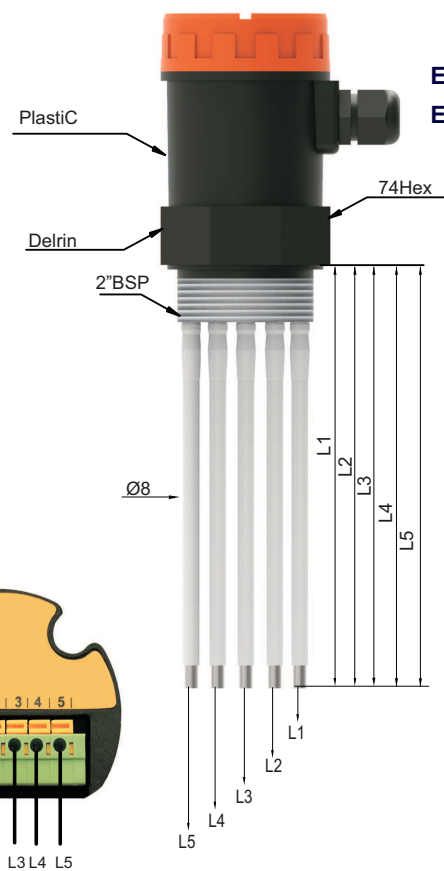
Electrode Material	304 Stainless Steel Opt. 316 Stainless Steel
Isolation of Electrode	PTFE
Connection Material	304 Stainless Steel Opt. 316 Stainless Steel
Case	304 Stainless Steel Opt. 316 Stainless Steel
Max. Working Temp.	Max. 200 °C
Max. Working Pressure	25 Bar
Number of Electrode	Max. 4
Voltage Probe	Max.6 VAC
Mechanical Connection (R)	1" BSP (Std)
Electrical Connection	DIN 43650A (ISO4400)



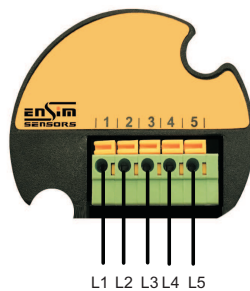
ELC 21 , ELC 31 , ELC 41



Electrode Material	304 Stainless Steel Opt. 316 Stainless Steel
Isolation of Electrode	Delrin Opt. PTFE
Connection Material	Delrin Opt. PTFE
Case	PBT
Max. Working Temp.	80 °C Opt.120 °C
Max. Working Pressure	25 bar
Number of Electrode	Max.5
Voltage Probe	Max. 6 VAC
Mechanical Connection (R)	2" BSP (Std)
Electrical Connection	PG 13,5



ELC 21p , ELC 31p
ELC 41p , ELC 51p



Order Form : **Please consider sample models when coding!..**

1 MODEL ELC

2 Electrode.....	21d	Metal, 2 Electrode.....	21
3 Electrode.....	31d	Metal, 3 Electrode.....	31
2 Electrode.....	21m	Metal, 4 Electrode.....	41
3 Electrode.....	31m	Plastic, 2 Electrode.....	21p
4 Electrode.....	41m	Plastic, 3 Electrode.....	31p
5 Electrode.....	51m	Plastic, 4 Electrode.....	41p
		Plastic, 5 Electrode.....	51p

2 CERTIFICATE

None.....	0	(EN10204-3-1) Material Certification	1
-----------	---	--	---

3 CONNECTION

1/4" BSP.....	002	1" BSP.....	006
3/8" BSP.....	003	2" BSP	009
1/2" BSP	004	Special.....	x

4 CONNECTION MATERIAL

304 Stainless Steel	01	Delrin.....	22
316 Stainless Steel	02	PVDF.....	23
PVC.....	20	PBT.....	24
		PTFE.....	25
		Special.....	x

5 ELECTROD MATERIAL

304 Stainless Steel	01	Titanium.....	09
316 Stainless Steel	02	Special.....	x

6 HOUSING

None.....	00	Plastic B038.....	27
Plastic.....	01	PC Grey P65.....	52
		Special.....	x

7 ELECTRICAL CONNECTION

With Clemens.....	00	PVC Cable (Max. 105 °C).....	81
Polyamide Big Socketed P02.....	50	Silicon Cable (Max. 200 °C).....	82
PVC Cable (Max. 60 °C).....	80	PTFE Cable (Max. 230 °C).....	99
		Special.....	x

8 OPTIONAL

None.....	/ 0	Level Control Device.....	/ SK-P3
		Level Control Device.....	/ SK-P4
		Special.....	/ x

SAMPLE

ELC 21 - 0 -006 - 01 - 01 - 00- 00 -/ 0

ELC 21 - Metal , PBT 2 Electrode - 1" 304 St. St. Connection - Electrode 304 St. St. -With Clemens