

Cabled level switches are used in order to ensure tank, depot, waste water plant level control in the industrial facilities and dwellings. It operates without any problem in the particulate ambient with its mechanical design and there is not any jam. Neoprene rubber cable is used for resistance against different liquids and in order that it does not crack in the hot-cold ambient.

Fields o Application :

Fish ponds, swimming pools, groundmater, waste mater pools, treatment pools, plunger pump applications, hydrophors, residential water tanks,etc...

Water, waste water, diesel, fuel oil, glycerine, gas, nitric acid 10%, asetic acid 10%, formaldehyde 40%, lactic acid 10%, hydrochloric 10%, sophuric acid 30% etc...



ELA FLOAT LEVEL SWITCH

- ELA 100
- ELA 200
- ELA 305s
- ELA 400
- ELA 500
- ELA 600
- ELA 600/GSM

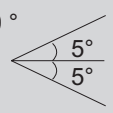
Advantages :

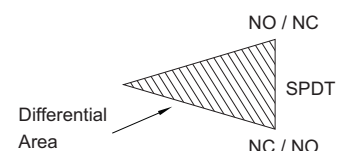
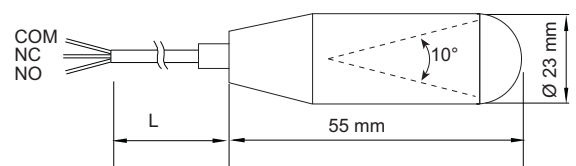
- * Easy to install.
- * Reliable.
- * Economical.



Technical Specifications :

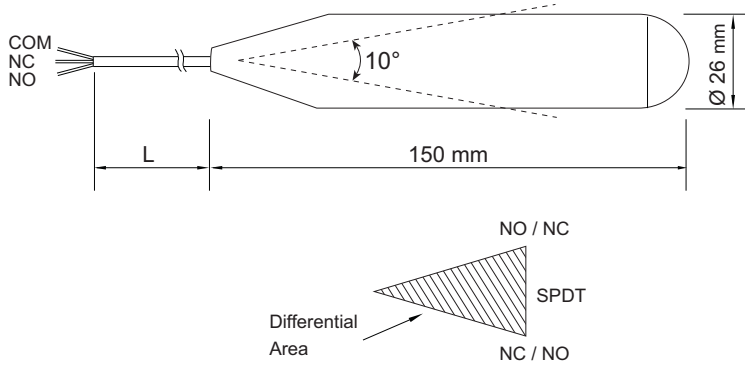
Type ELA 100

Fluid	Liquid
Appropriate Liquid Density	Min. 0,75 g/cm ³
Differential Angle	10 ° 
Working Temperature	Max. 60 °C
Working Pressure	Max. 5 bar
Material of float	PVC
Float Dimensions	d:19 mm , L=150 mm
Material of cable	Silicon 3 x 0,3 mm ²
Contact Capacity	Max.0,1 A / 60 VDC / AC
Contact	1 x NO / NC
Protection Class	IP 68
Process Type	Filling, Emptying
Weight	32 g. (for 3 m.)



Model: 21-2019-002

ELA 200

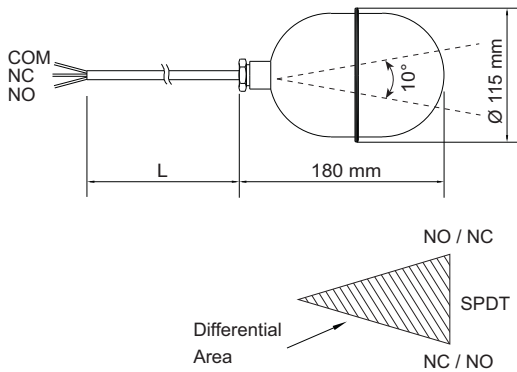


Technical Specifications :

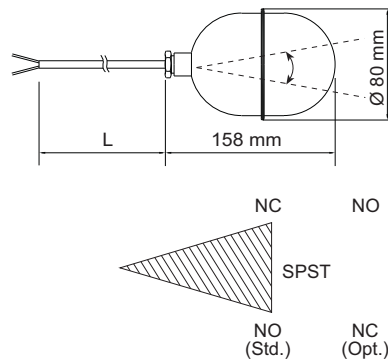
Type ELA 200

Fluid	Liquid
Appropriate Liquid Density	Min. 0,75 g/cm ³
Differential Angle	10°
Working Temperature	Max. 60 °C
Working Pressure	Max. 5 bar
Material of float	PU
Float Dimensions	d: 26 mm , L= 50 mm
Material of cable	3 x 0,3 mm ² Silicon
Contact Capacity	Max. 0,1 A / 60 VAC (Std.) Opt. Max. 4 A / 240 VAC-10 A / 120 VAC
Contact	1 x NO / NC
Protection Class	IP 68
Process Type	Min. or Max. Control Opt. Filling, Emptying
Weight	115 g. (for 3 m.)

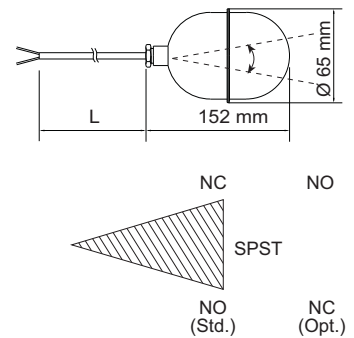
ELA 305s



ELA 306s



ELA 307s



Ordering
It should be noted.

Ordering
It should be noted.

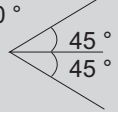
Technical Specifications : Type ELA 305s

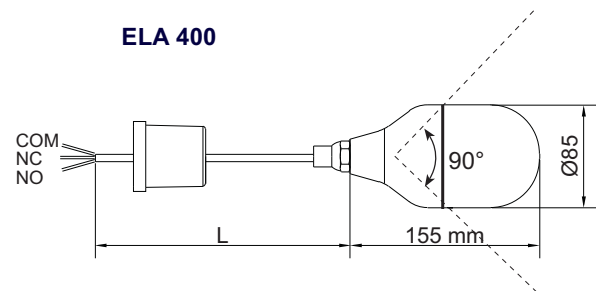
Type ELA 306s

Type ELA 307s

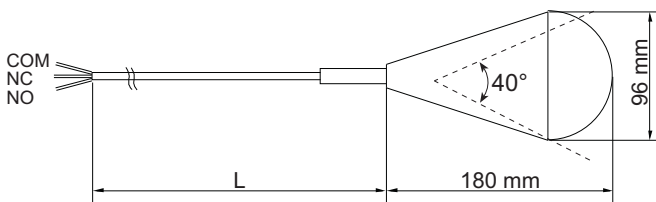
Fluid	Liquid	Liquid	
Appropriate Liquid Density	0,6...1,4 g/cm ³	0,8...1,2 g/cm ³	
Differential Angle	10°	10°	25° 65°
Working Temperature	Max.120 °C	Max. 120 °C	
Working Pressure	Max. 10 bar	Max. 10 bar	
Material of float	304 Stainless Steel (Std.)	304 Stainless Steel (Std.)	
Float Dimensions	Ø 115 mm x 180 mm	Ø 80 mm x 158 mm	Ø 65 mm x 152 mm
Material of cable	3 x 1 mm ² Silicon	3 x 1 mm ² Silicon	
Contact Capacity	Max.10 A / 120 VAC	Max. 1,5 A / 240 VAC - 2A / 120 VAC	
Contact	1 x NO / NC	1 x NO (Std.) or NC	
Protection Class	IP 68	IP 68	
Process Type	Filling, Emptying	Min. or Max. Control	
Weight	750 g. (for 3 m.)	580 g. (for 3 m.)	540 g. (for 3 m.)

Technical Specifications : Type ELA 400

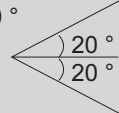
Fluid	Liquid
Appropriate Liquid Density	0,75...1,2 g/cm ³
Differential Angle	90 ° 
Working Temperature	Max. 80 °C
Working Pressure	Max. 2 bar
Material of float	PP
Float Dimensions	d: 85 mm , L= 155 mm
Material of cable	3 x 1 mm ² Rubber
Contact Capacity	Max. 6 A / 250 VAC
Contact	1 x NO / NC
Protection Class	IP 68 (Until 20m.)
Process Type	Filling, Emptying
Weight	950 g. (For 5m.)



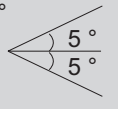
ELA 500

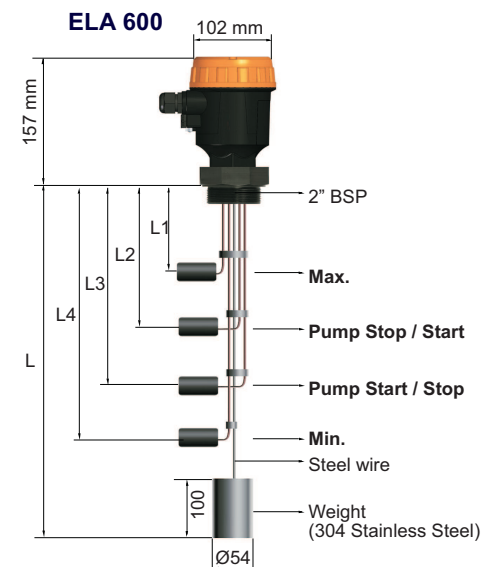


Technical Specifications : Type ELA 500

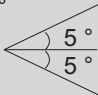
Fluid	Liquid
Appropriate Liquid Density	0,75...1,2 g/cm ³
Differential Angle	40 ° 
Working Temperature	Max. 80 °C
Working Pressure	Max. 2 bar
Material of float	PP
Float Dimensions	d: 86 mm , L= 180 mm
Material of cable	3 x 0,75 mm ² PVC
Contact Capacity	Max. 6 A / 250 VAC
Contact	1 x NO / NC
Protection Class	IP 68
Process Type	Filling, Emptying
Weight	850 g. (For 5 m.)

Technical Specifications : Type ELA 600

Fluid	Liquid
Appropriate Liquid Density	Min. 0,75 g/cm ³
Differential Angle	10 ° 
Working Temperature	Max. 60 °C
Working Pressure	Max. 5 bar
Material of float	PU
Float Dimensions	d: 26 mm , L= 150mm
Material of cable	3 x 0,3 mm ² Silicon
Contact Capacity	Max. 0,1 A / 60 VAC (Std.) Opt. Max. 4 A / 240 VAC-10 A / 120 VAC
Contact	4 x NO / NC
Protection Class	IP 65
Process Type	Filling, Emptying

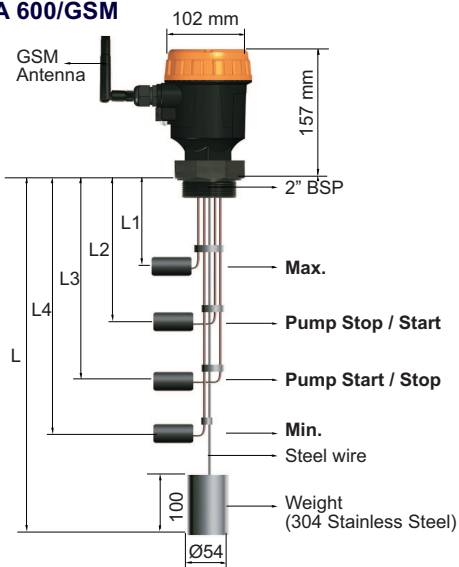


Technical Specifications : Type ELA 600/GSM

Fluid	Liquid
Appropriate Liquid Density	Min. 0,75 g/cm ³
Differential Angle	10 ° 
Working Temperature	Max. 60 °C
Working Pressure	Max. 5 bar
Material of float	PU
Float Dimensions	d:26 mm , L= 150 mm
Material of cable	3 x 0,3 mm ² Silicon
Contact Capacity	Max. 0,1 A / 60 VAC (Std.) Opt. Max. 4 A / 240 VAC-10 A / 120 VAC
Contact	4 x NO / NC
Protection Class	IP 65
Process Type	Filling, Emptying

Technical Specifications :

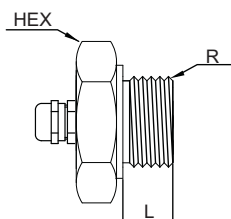
Power Supply	2 x CR123A Lithium batteries (included) 12 V 1000 mA DC Adaptor (included)
Battery Life	More than 1 year under normal usage 4 years with adapter (**for 1 alarm / day)
Inputs	Adaptor 12 V Input 1 pc NO (Dry Contact) 1 pc NC (Dry Contact)
Outputs	Not available
GSM Module	GSM 900/1800 MHz Dual Band
Antenna	Internal Antenna
Event Alerts	SMS / Call : Port1 Alarm SMS / Call : Port1 Ok SMS / Call : Port2 Alarm SMS / Call : Port2 Ok SMS: Power Failure (With Adapter) SMS: Power Restored (With Adapter) SMS: Low Battery SMS: Keep Alive Messages SMS: GSM Signal Strength (while configuration)
Configurations via SMS	Change security password Register & delete user phone numbers (up to 2) Enable & disable weekly keep alive messages Reset device
Package Content	1 x E-GSM GSM Alarm Device (Inside the housing) 1 x 12 V Adaptor 2 x 12 V Lithium Battery 1 x User Manual 4 x Fixing Screws & Fixing Plugs

ELA 600/GSM

Accessories :


Order code : /P1
Housing : Plastic
Protection Class : IP 65
Connection : Ø 200 Flange - 4 perforated
Electrical connection : Terminal

Order code : /A1
Housing : Aluminium
Protection Class : IP 65 (With Seal)
Connection : Ø 200 Flange - 4 perforated
Electrical connection : Terminal

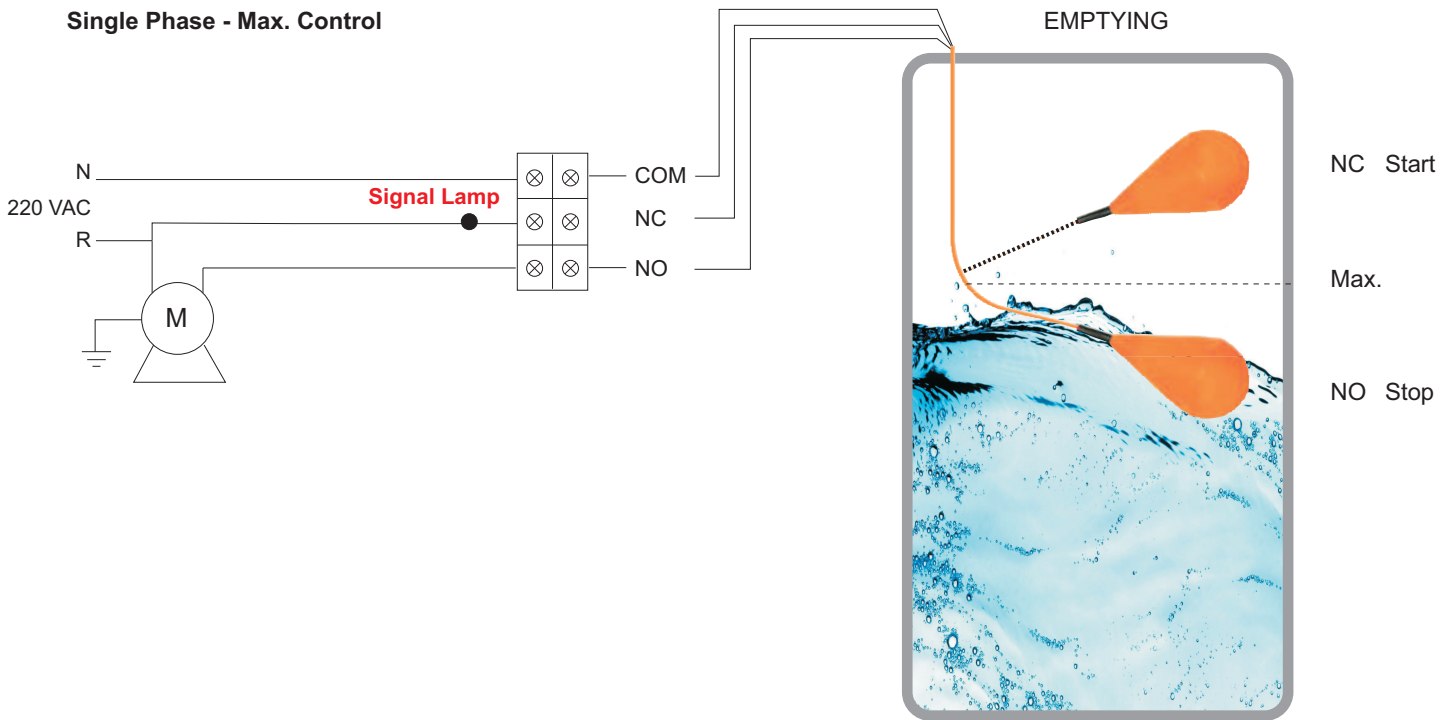
Adapter



Order code	BSP	L (mm)	HEX (mm)	Material
/R1	3/4" BSP	21	32	304 Stainless Steel
/R2	1" BSP	21	36	304 Stainless Steel

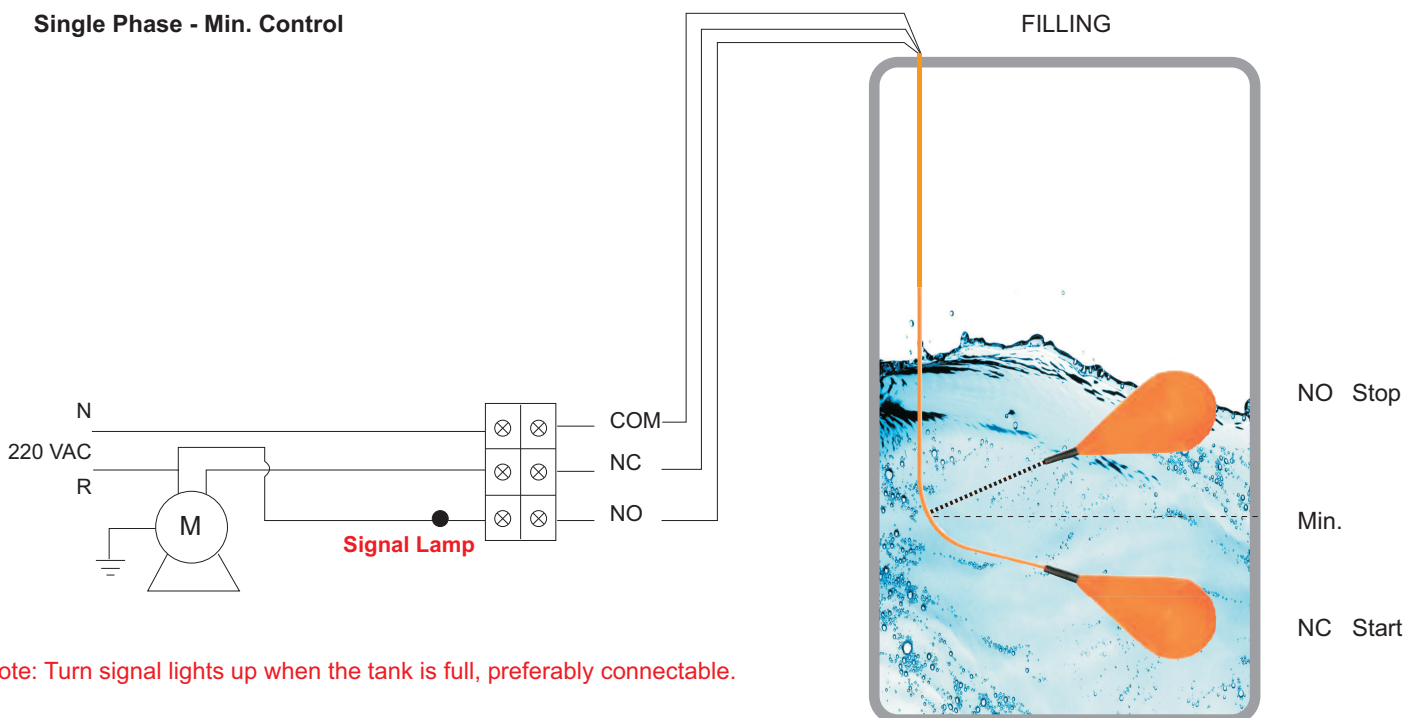
Electrical connection:

Single Phase - Max. Control

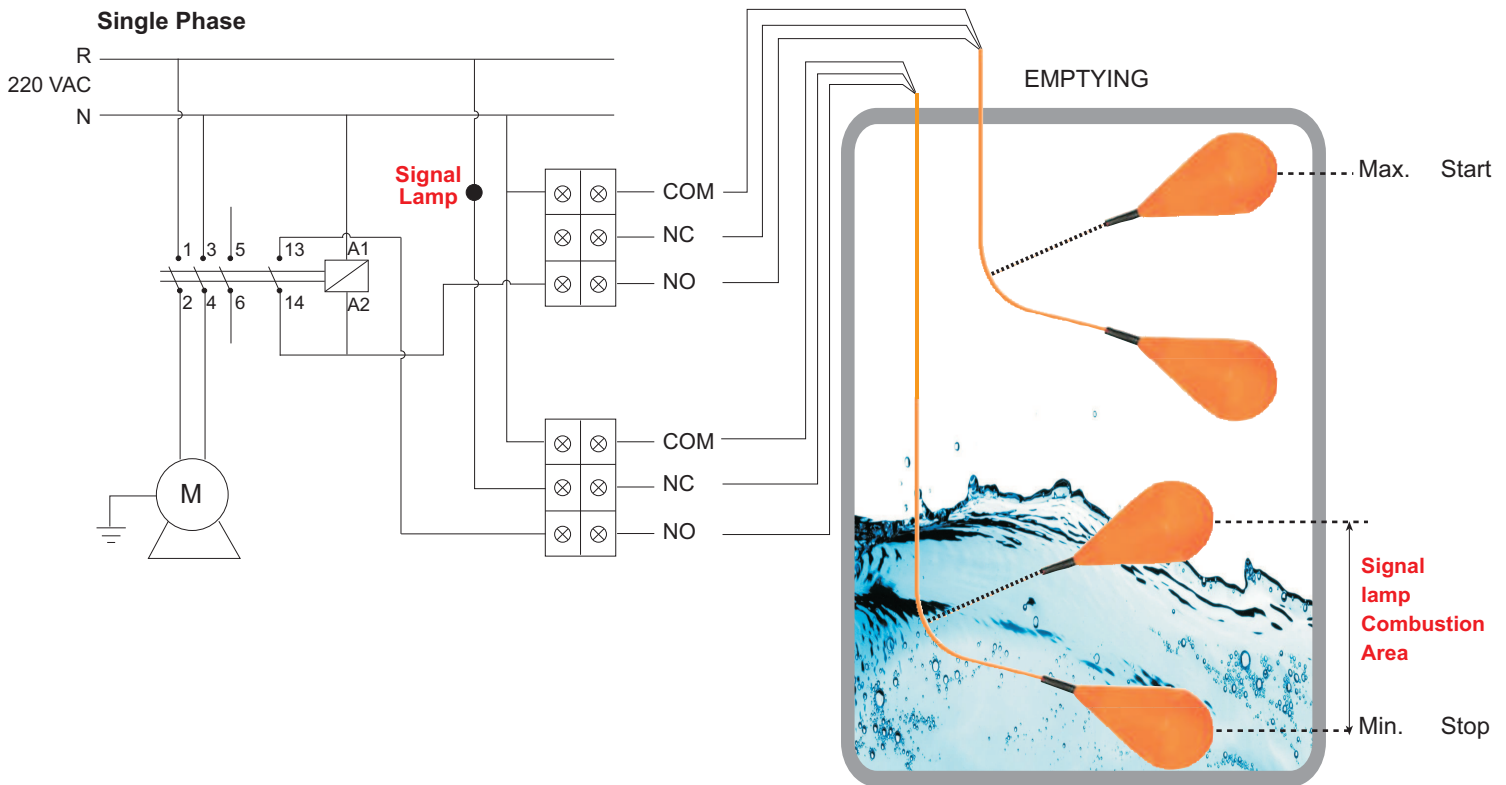


Note: The signal lamp lights up when the tank is empty, preferably connectable.

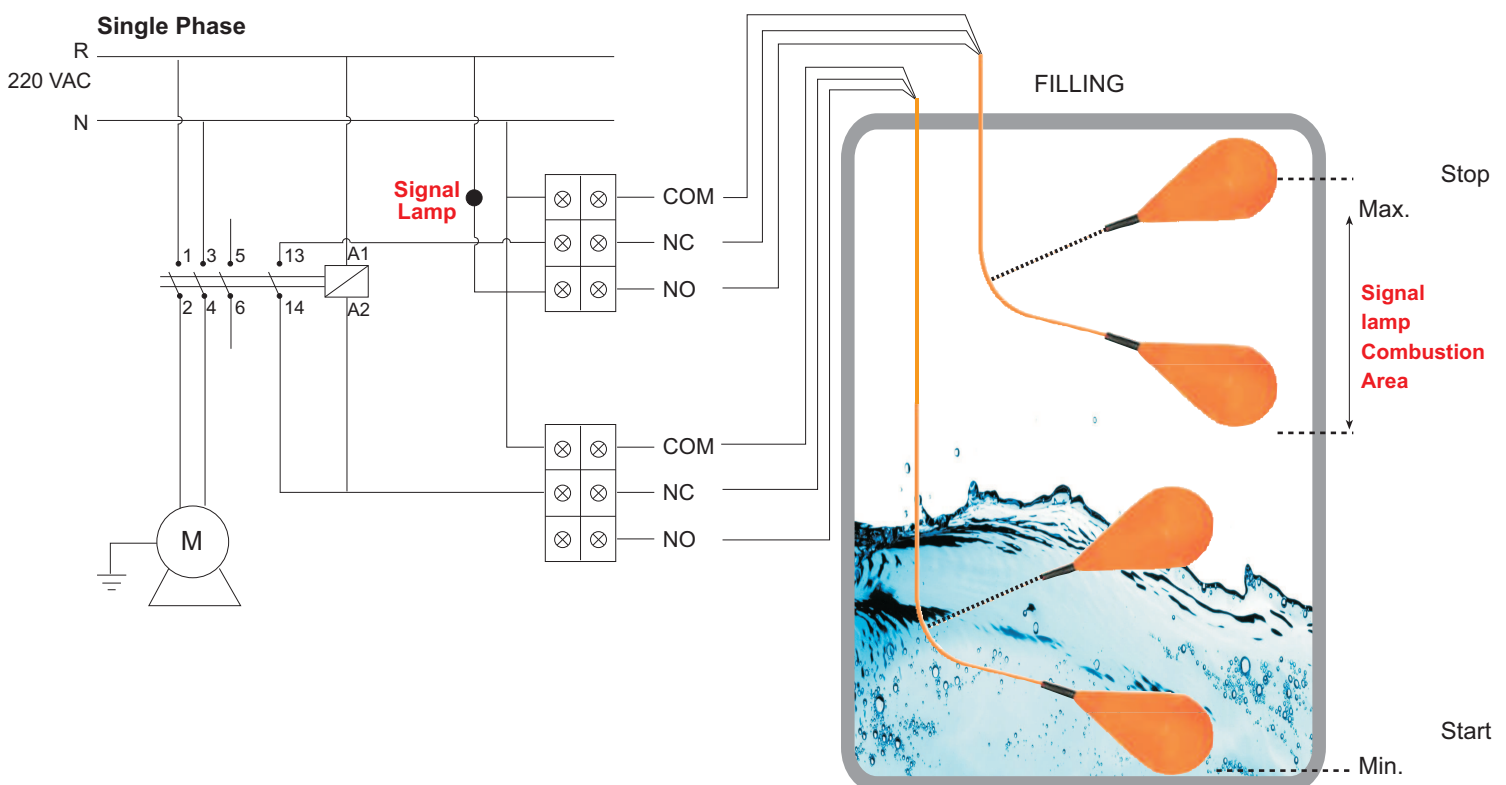
Single Phase - Min. Control



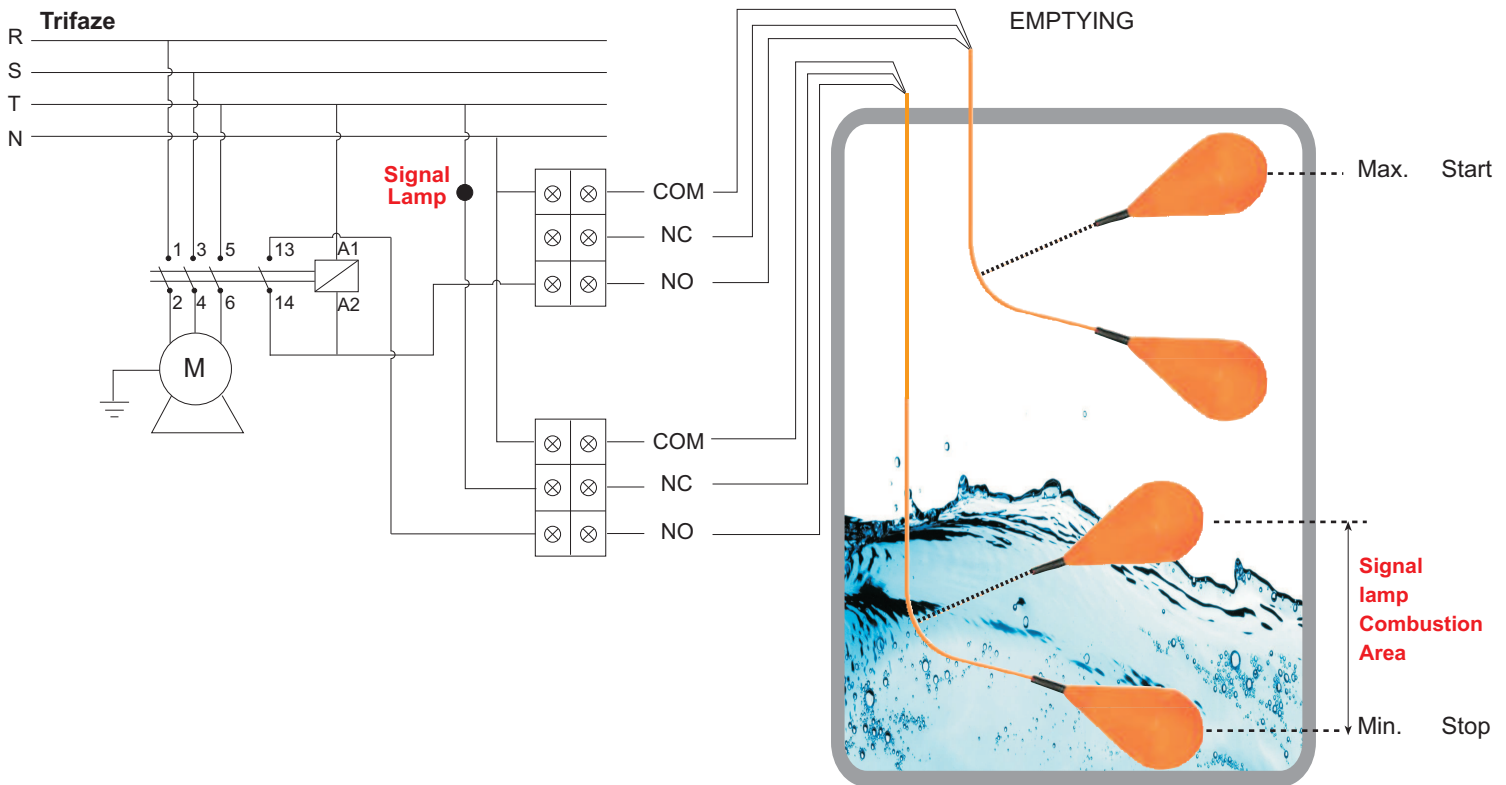
Note: Turn signal lights up when the tank is full, preferably connectable.



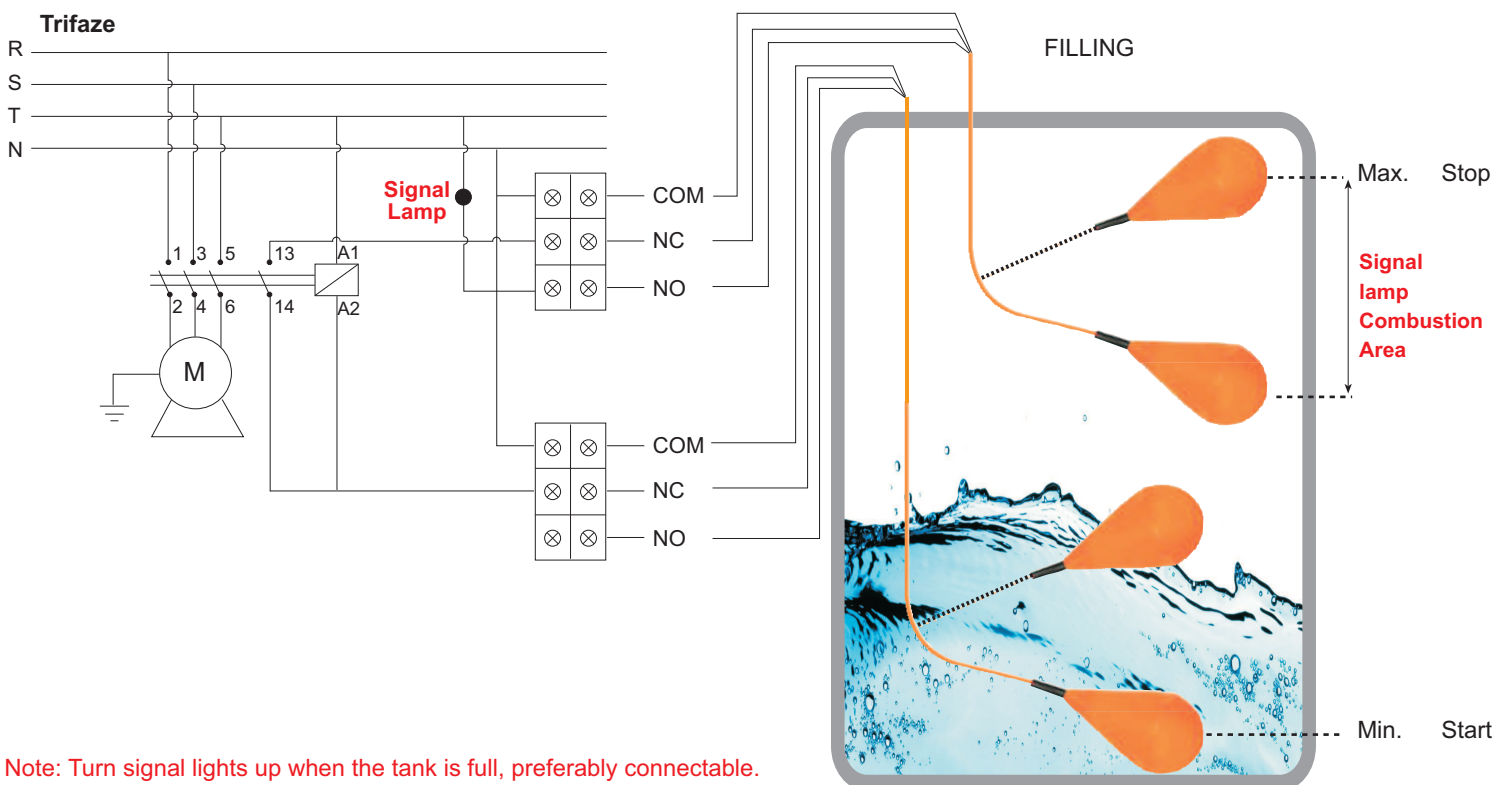
Note: Turn signal lights up when the tank is full, preferably connectable.



Note: Turn signal lights up when the tank is full, preferably connectable.



Note: Turn signal lights up when the tank is full, preferably connectable.



Note: Turn signal lights up when the tank is full, preferably connectable.

Order Form : **Please consider sample models when coding**

1 MODEL ELA

PU, Without weight, Mini.....	100	PP, With weight	400
PU, Without weight.....	200	PP, Without weight.....	500
Stainless Steel, Without weight Ø 115 mm.....	305s	With Four Floats.....	600
Stainless Steel, Without weight Ø 80 mm.....	306s	With Four Floats- GSM.....	600/GSM
Stainless Steel, Without weight Ø 65 mm.....	307s		

2 CERTIFICATE

None.....	0	(EN10204-3-1) Material Certification	1
-----------	---	--	---

3 TILT ANGLE (CONTACT CURRENT)

10 ° (0,1 A / 60 VAC).....	01	25 ° (1,5 A / 240 VAC-2 A / 120 VAC).....	07
10 ° (4 A / 240 VAC-10 A / 120 VAC).....	02	40 ° (6 A / 250 VAC).....	09
10 ° (1,5 A / 240 VAC-2 A / 120 VAC).....	03	65 ° (1,5 A / 240 VAC-2 A / 120 VAC).....	12
10 ° (10 A / 120 VAC).....	04	90 ° (6 A / 250 VAC).....	13
		Special.....	x

4 BODY MATERIAL

304 Stainless Steel	01	PP	62
316 Stainless Steel	02	PU	71
PVC.....	20	Special.....	x

5 CABLE MATERIAL

PVC Cable (Max. 60 °C).....	01	Rubber.....	81
PVC Cable (Max. 105 °C).....	02	Special.....	x
Silicon Cable (Max. 200 °C).....	03		

6 CABLE LENGHT (L/L1/L2/L3/L4 m.)

3 m.	03	15 m.	15
5 m.	05	20 m.	20
10 m.	10	Special.....	x

7 OPTIONAL

None.....	/ 0	Adapter Thread - 3/4" BSP.....	/ R1
Plastic Housing - Flanged.....	/ P1	Adapter Thread - 1" BSP.....	/ R2
Aluminium Housing - Flanged.....	/ A1	Omron Time Relay 4 A / 240 VAC-10 A / 120 VAC.../	R3
E-GSM Device.....	/ E-GSM	Contactor (220VAC-10A).....	/ K1
		Special.....	x

EXAMPLE

ELA 305s - 0 - 04 - 01 - 03 - 05 / 0

With Cable Level Switch , ELA 305s , 5 m. With Cable , 10A/120VAC