

Vibrating rod is a single element tuned mechanical element-type level sensing device. Electronics of ELT excites the piezo-electric-crystals inside tuning rod, which makes the rod vibrate at its natural resonance frequency in free air. When Material touches the rod, vibration stops as resonance gets disturbed. Amplitudes of vibration are above threshold when rod is free to vibrate. Amplitudes of vibration, as sensed by the electronics falls below the threshold, Materials presence is thus detected by observing the amplitude of vibration.

**Applications :**

Vibrating rod level limit switch used as a full, empty and demand alarm in containers, hoppers, silos containing bulks and powders of various types. Typical applications: cereals, beans, edible oil process, sugar, animal feed, rice plants, detergents, dye powder, chalk, gypsum, fly-ash, cement, sand, plastic granules, spices, milk powder etc.



**ELT VIBRATING ROD TYPE LEVEL SWITCH**

**ELT 101 , ELT 102**  
**ELT 201 , ELT 202**

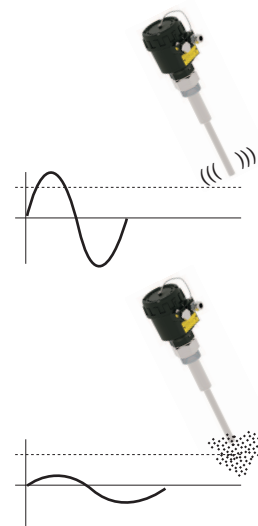
**Advantages:**

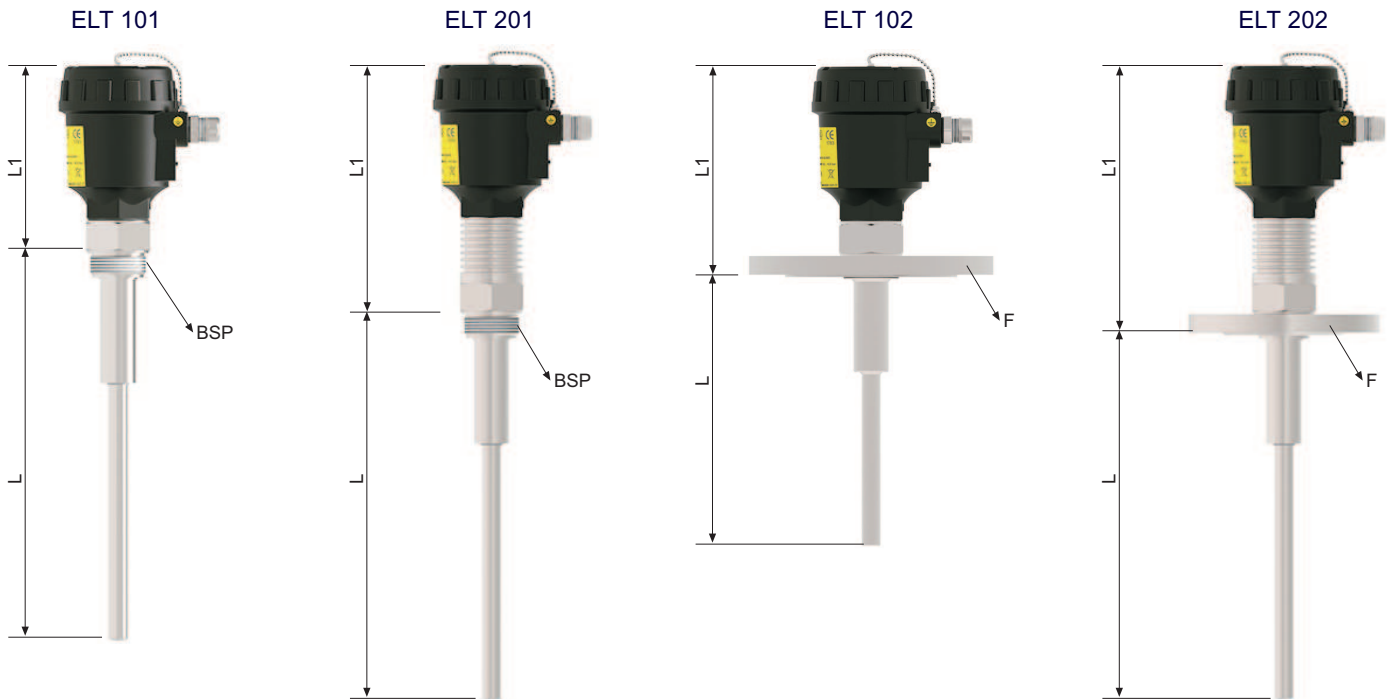
- Suitable for side as well as top mounting
- Minimum and maximum fail safe field selectable.
- Process pressure max. 15 bar
- Process temperature max 200 °C
- Low power consumption.
- No Calibration Required
- Settable switching delay as a standard feature
- Durable Construction
- Immune to External Vibrations



**Technical specifications :**

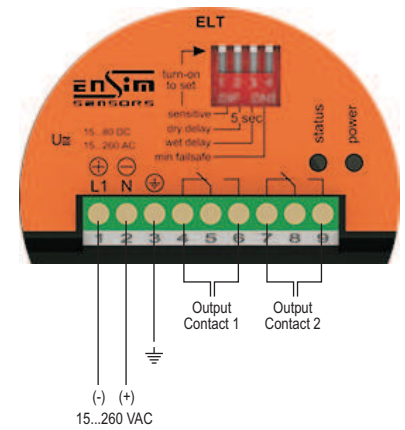
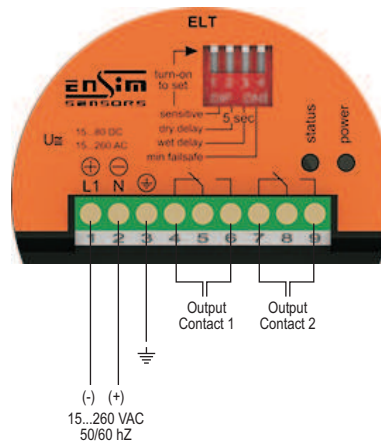
Wetted Parts	304 Stainless Steel Opt. 316 Stainless Steel
Connection	1 1/2" BSP (Std.) Male Thread Opt. 2" BSP Male Thread
Working Pressure	Max. 15 bar
Working Temperature	(-) 20 °C...(+) 80 °C (Std.) Opt. 200 °C
Min. Density	> 350 g / L
Grainule Dimension	Max. 25 mm
Supply	15-80 VDC , 15-260 VAC
Output	2 x 5A NO / NC Relay 24 VDC or 220 VAC
Protection Class (EN60529)	IP 66



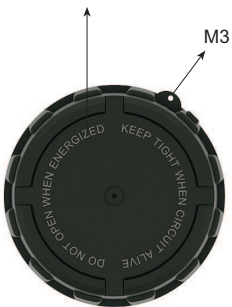


**Measurements:**

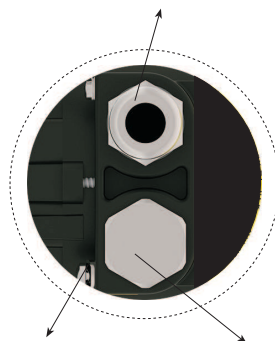
	Connection BSP (mm)	L (mm)	L1 (mm)
ELT 101	1 1/2" BSP	336	134
ELT 102	1 1/2" BSP	336	217
ELT 201	1 1/2" BSP	320	150
ELT 202	1 1/2" BSP	320	233



DO NOT OPEN WHEN ENERGIZED  
KEEP TIGHT WHEN CIRCUIT ALIVE



Aluminium Housing  
Cable Plug  
(Suitable Cable Diameter : Ø 6-12mm)



Grounding Terminal  
(Max.1,5 mm<sup>2</sup>)  
Recommended Cable (5x1,5 mm<sup>2</sup>)  
Bund Stops



**Order Form : Please consider sample models when coding**

**1 MODEL ELT**

Std. Type.....10 High Temperature Type.....20

**2 CONNECTION TYPE**

Thread.....1 Flanged.....2  
Special.....x

**3 STEM LENGHT (mm) L**

Std. ....250 Special.....x

**4 CONNECTION**

1 1/2" BSP (Std.).....008 DN 50 - PN 16 (Std.).....106  
2" BSP.....009 DN 80 - PN 16.....108  
DN 100 - PN 16.....109  
Special.....x

**5 WETTED PART MATERIAL**

304 Stainless Steel.....01 316 Stainless Steel.....02  
Special.....x

**6 OUTPUT**

2 x 5A NO / NC Relay.....11 Special.....x

**7 WORKING TEMPERATURE**

(-) 40°C...(+) 85 °C.....1 (-) 40°C...(+) 150 °C.....1  
Special.....x

**8 HOUSING**

Aluminium Housing , B20x IP 66.....407 Special.....x

**9 OPTIONAL**

None...../ 0 Special...../ x

**EXAMPLE** ELT - 101 - 250 - 008 - 01 - - 1 - 407 / 0

Vibrating Type Level Switch, Model ELT101 , L=250 mm , 10 m. , 1 1/2" BSP Male Thread, 2 Contacts