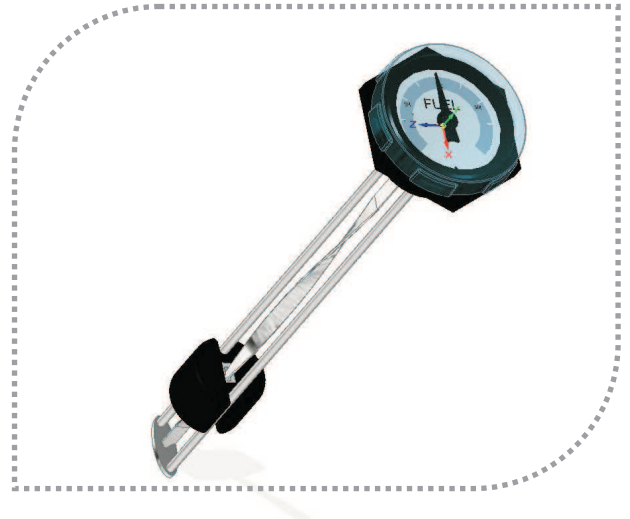


EYG Tank level indicator is manufactured for displaying the level in the tank. Easy and quick levels can be seen by users. Installation can be made in a simple way.

EYG usually used in hydraulic and fuel level measurement.

Applications :

* Machinery, hydraulic oil tanks, small ware house etc.



EYG TANK LEVEL GAUGE

EYG 11 , EYG 12

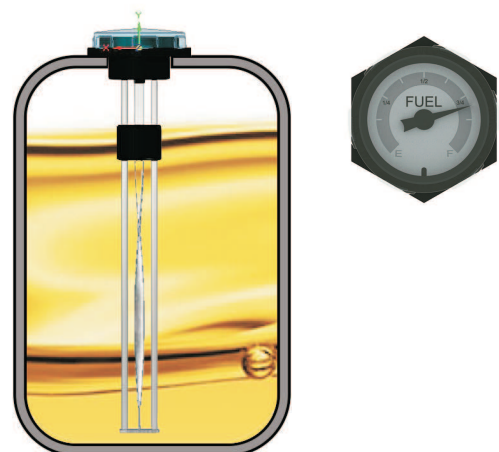
Advantages :

- * Economical
- * Pratical and easy mounting
- * Quick delivery time
- * Complete Stainless Steel

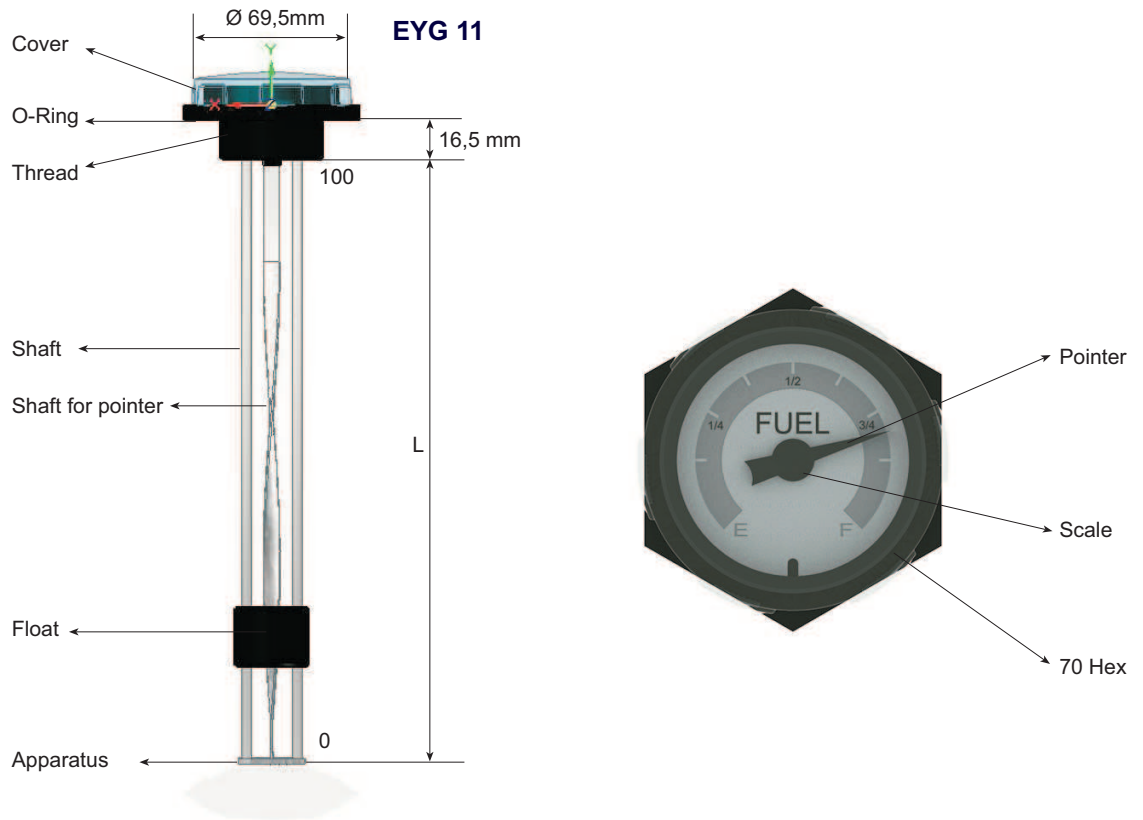


Technical Specifications :

Accuracy	± % 5
Operating Temperature	(-) 40 °C / (+) 85 °C
Material of Connection	Polypropylene
Connection	1 1/2 " BSP Male (Std)
Scale	PVC
Stem Length	Max. 750 mm
Material of Float	Polyurethane
Material of Display Cover	Polycarbonate Crystal
Material of Guide Road	304 Stainless Steel
Material of Shaft	304 Stainless Steel
Material of Ring	NBR



Sample Model :



Order Form : Please consider sample models when coding.

1	MODEL EYG	Standart.....1	
2	CERTIFICATE	None.....0	(EN10204-3-1) Material Certification.....1
3	CONNECTION SIZE	1 1/2 " BSP Male Thread.....008	M45x2 mm Erkek Diş.....090 Special.....x
4	DALMA BOYU (L) mm	
5	SCALA	Fuel Oil (Std.).....00 Gas.....01	Oil.....02 Special.....x
6	OPTIONAL	None...../ 0	Contact Output(SOON)..... / C1 Special.....x

EXSAMPLE

EYG 10 - 008 - 500 - 00 / 0
Level indicator , EYG-10 , 1 1/2 " BSP Male Thread , For Fuel-Oil