

The EPS Pressure Switch is used for inline pressure measurement and control.

Application Areas :

Combi, water heater, cooling water, lubrications oil etc...

The ideal type of assembly is vertical.



Ranges	Model	
(-) 0.8...(-) 0.1 bar	*	EPS 00p
0,2..1 bar	EPS 01s	EPS 01p
0,5..5 bar	EPS 05s	EPS 05p
1..10 bar	EPS 10s	EPS 10p
2..20 bar	EPS 20s	EPS 20p
10..100 bar	EPS 100s	*
50..200 bar	EPS 200s	*
50..400 bar	EPS 400s	*

Working Principle:

Inside the body , there are a compressed spring and a diaphragm. The spring and diaphragm move with pressure and trigger the contact and give pressure information. When the pressure is come down to adjusted pressure value , the contact is turn back to former position. High precision and durable contact is used.

EPS PRESSURE SWITCH

EPS 01s , EPS 00p
EPS 05s , EPS 01p
EPS 10s , EPS 05p
EPS 20s , EPS 10p
EPS 100s , EPS 20p
EPS 200s

Advantages :

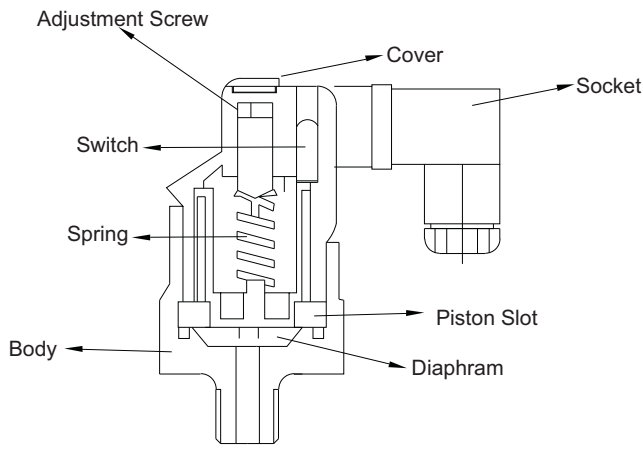
- * High reliable accuracy
- * Easy adjustable
- * Economical



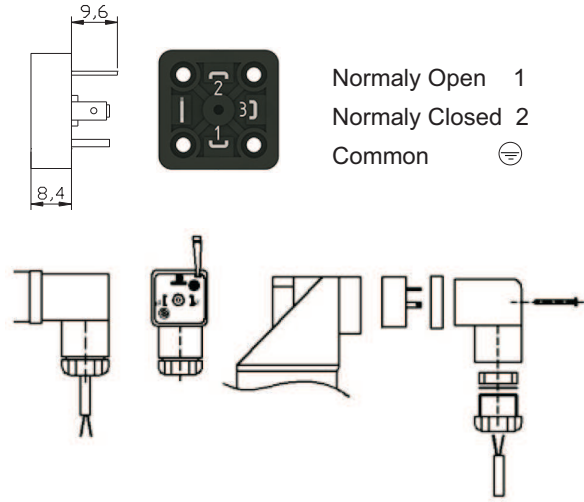
Technical Specifications :

	Metal Type	PlasticType
Body materials	316 Stainless Steel	Polipropilen
Diaphragm	NBR, Stainless Steel Viton	NBR Optr.Viton
Plastic Parts	Polipropilen	Polipropilen
O-Ring	NBR	NBR
Mechanical Connections	1/4 " BSP (Std.)	1/4" BSP (Std.)
Max.Pressure	x1.5	x1.5
Max. Current	5 A / 250 VAC	5 A / 250 VAC
Contact	1 x NO / NC	1 x NO / NC
Working Life	10.000.000 times (Depends on working range)	10.000.000 times (Depends on working range)
Working Temperature	(-) 40 °C....+150 °C	(-) 25 °C.....+60 °C
Relative Humidity	5-95 % RH	5-95 % RH
Protection	IP 65	IP 65
Weight	200 g.	100 g.
Box Dimensions	50 mm x 90 mm x 90 mm	50 mm x 90 mm x 90 mm

Model : 08-2019-003



Electrical Connections:



The process of setting the set value:

- 1- Remove plug , you will see the 3 mm allen screw underneath.Set adjustment can be made easily with allen.
- 2- Rotate clockwise to increase to set point and counter clockwise to decrease.
- 3- When set point is achived plug again.

Order Form: Please consider sample models when coding!..

1 MODEL EPS

	<u>Metal Type</u>	<u>Plastic Type</u>
0.2 ...1 bar.....	01s	(-) 0.8...(-) 0.1 bar.....00p
0.5 ... 5 bar.....	05s	0.2 ...1 bar.....01p
1 ... 10 bar.....	10s	0.5 ... 5 bar.....05p
2 ... 20 bar.....	20s	1 ... 10 bar.....10p
10 ... 100 bar.....	100s	2 ... 20 bar.....20p
50 ... 200 bar.....	200s	
50 ... 400 bar.....	400s	
Special	X	Special

2 CERTIFICATE

None.....	0	(EN10204-3-1)Material Certification.....	1
-----------	---	--	---

3 OUTPUT

Relay NO / NC (5 A).....	11	Special	X
--------------------------	----	---------------	---

4 ALARM LOCATION

Increased Pressure.....	0	Decreasing Pressure	1
-------------------------	---	---------------------------	---

5 DIAPHRAGM MATERIAL

Stainless Diaphragm (up to 10 bar).....	02	Viton Diaphragm.....	82
NBR Diaphragm.....	81	Special	X

6 CONNECTION

1/4 " BSP	002	Special	X
1/2 " BSP.....	004		

7 OPTIONAL

None.....	/ 0	Special	X
-----------	-----	---------------	---

EXAMPLE

EPS 101s - 0 - 11 - 0 - 81 / 0

Pressure Switch, Stainless Steel , 10 / 100 bar , 5 A - NO / NC