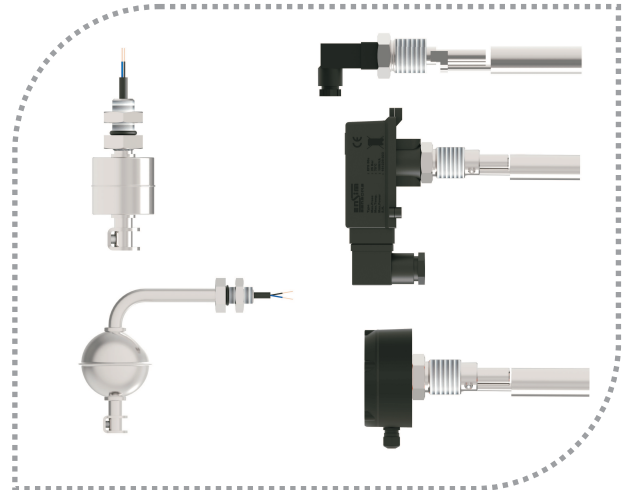


ELM level switches are used for checkin level of tank. It is preferred by machine manufacturers, especially in terms of its ease of use and economy.

The ELM level switched can be mounted in litte places because of their mini design. The switches are made by stainless steel material and so can be used in various liquids.



ELM LEVEL SWITCH

ELM31 , ELM41 , ELM51 , ELM71
ELM32 , ELM42 , ELM52 , ELM72
ELM51s
ELM61 , ELM61s , ELM61m , ELM62
ELM63 , ELM64 , ELM64s
ELM81s , ELM82s

Advantages :

- * Economic.
- * Practical and easy installation.
- * Fast delivery.
- * Stainless steel material.



Working Principle :

When magnetic field of magnet in the float is aligned with reed sensor in the tube , it opens or closes the electric circuit.

When float moves away , sensor reverts back (upon demand , drawn contact may be made). Level information can be assessed with a relay circuit.

Areas of Application :

Machines, tanks, boilers, gas and liquid mediums, level measuring, temperature measuring...

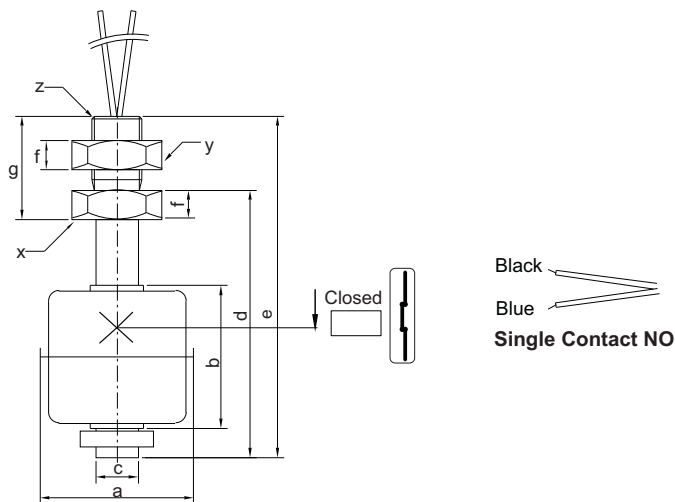


E-GSM Alarm Device - Double Entry

Battery or and supply
 2 pcs. Lithium batteries, 12V adaptor (Included)
 Excluding phone card.

Technical Specifications :

	ELM 31	ELM 41	ELM 51	ELM 71
INSTALLITION	VERTICAL	VERTICAL	VERTICAL	VERTICAL
Float Material	304 St. St. (Std.) Opt. 316 St. St.	316 St. St.	316 St. St.	316 St. St.
Wetted Parts Material	304 St. St. (Std.) Opt. 316 St. St.	304 St. St. (Std.) Opt. 316 St. St.	304 St. St. (Std.) Opt. 316 St. St.	304 St. St. (Std.) Opt. 316 St. St.
Pipe Material	304 St. St. (Std.) Opt. 316 St. St.	304 St. St. (Std.) Opt. 316 St. St.	304 St. St. (Std.) Opt. 316 St. St.	304 St. St. (Std.) Opt. 316 St. St.
Float Type	S1Y	S2A	S4A/S40A	S5A
Working Temperature	Max. 125 °C	Max. 125 °C	Max. 125 °C	Max. 125 °C
Mechanical Connection	1/8" BSP or M10x1	1/8" BSP or M10x1	1/8" BSP or 1/2" BSP	3/8" BSP or 1/2" BSP
Max. Pressure (Bar)	10	30	30	30
Min. Density (g/cm ³)	0.80	0.80	0.80	0.80
Electrical Connection	Cable	Cable	Cable	Cable
Number of Float	1 Std.	1 Std.	1 Std.	1 Std.
Number of Contact	1x SPST-NO	1x SPST-NO	1x SPST-NO	1x SPST-NO
Contact Current	1 A	1.5 A	1.5 A	1.5 A
Max. Contact Power	10 W / VA	50 W / VA	50 W / VA	50 W / VA
Max.Switching Voltage	200 VDC / 140 VAC	200 VDC / 250 VAC	200 VDC / 250 VAC	200 VDC / 250 VAC
Optional	Liquid Level Relay SK-P2	Liquid Level Relay SK-P2	Liquid Level Relay SK-P2	Liquid Level Relay SK-P2

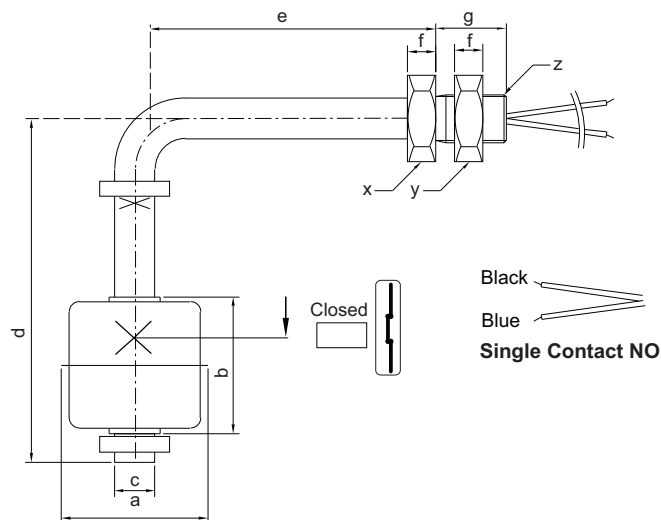


MODEL DIM.	ELM 31 Cylinder	ELM 41 Spherical	ELM 51 Spherical	ELM 71 Spherical
a	28	43	52	73
b	28	43	52	73
c	8	8	13	13
d	45	70	100	115
e	60	75	120	137
f	5	5	8	8
g	15	15	20	20
x	17Hex	17Hex	24Hex	24Hex
y	17Hex	17Hex	24Hex	24Hex
z	1/8"BSP or M10x1	1/8"BSP or M10x1	3/8"BSP or 1/2"BSP	3/8"BSP or 1/2"BSP

All dimensions are given in mm.

Technical Specifications :

	ELM 32	ELM 42	ELM 52	ELM 72
INSTALLITION	VERTICAL	VERTICAL	VERTICAL	VERTICAL
Float Material	304 St. St. (Std.) Opt. 316 St. St.	316 St. St.	316 St. St.	316 St. St.
Wetted Parts Material	304 St. St. (Std.) Opt. 316 St. St.	304 St. St. (Std.) Opt. 316 St. St.	304 St. St. (Std.) Opt. 316 St. St.	304 St. St. (Std.) Opt. 316 St. St.
Pipe Material	304 St. St. (Std.) Opt. 316 St. St.	304 St. St. (Std.) Opt. 316 St. St.	304 St. St. (Std.) Opt. 316 St. St.	304 St. St. (Std.) Opt. 316 St. St.
Float Type	S1Y	S2A	S4A/S40A	S5A
Working Temperature	Max. 125 °C	Max. 125 °C	Max. 125 °C	Max. 125 °C
Mechanical Connection	1/8" BSP or M10x1	1/8" BSP or M10x1	1/8" BSP or 1/2" BSP	3/8" BSP or 1/2" BSP
Max. Pressure (Bar)	10	30	30	30
Min. Density (g/cm ³)	0.80	0.80	0.80	0.80
Electrical Connection	Cable	Cable	Cable	Cable
Number of Float	1 Std.	1 Std.	1 Std.	1 Std.
Number of Contact	1x SPST-NO	1x SPST-NO	1x SPST-NO	1x SPST-NO
Contact Current	1 A	1.5 A	1.5 A	1.5 A
Max. Contact Power	10 W / VA	50 W / VA	50 W / VA	50 W / VA
Max.Switching Voltage	200 VDC / 140 VAC	200 VDC / 250 VAC	200 VDC / 250 VAC	200 VDC / 250 VAC
Optional	Liquid Level Relay SK-P2	Liquid Level Relay SK-P2	Liquid Level Relay SK-P2	Liquid Level Relay SK-P2



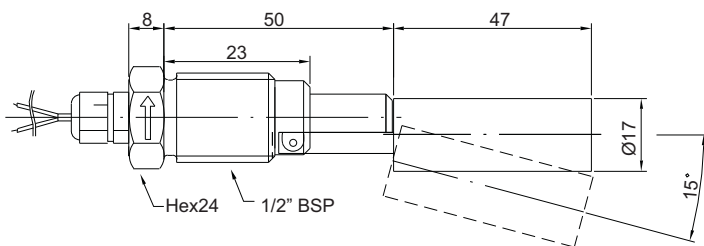
MODEL DIM.	ELM 32 Cylinder	ELM 42 Spherical	ELM 52 Spherical	ELM 72 Spherical
a	28	43	52	73
b	28	43	52	73
c	8	8	13	13
d	72	92	95	125
e	58	65	80	100
f	5	5	8	8
g	15	15	20	20
x	17Hex	17Hex	24Hex	24Hex
y	17Hex	17Hex	24Hex	24Hex
z	1/8" BSP or M10x1	1/8" BSP or M10x1	3/8" BSP or 1/2" BSP	3/8" BSP or 1/2" BSP

All dimensions are given in mm.

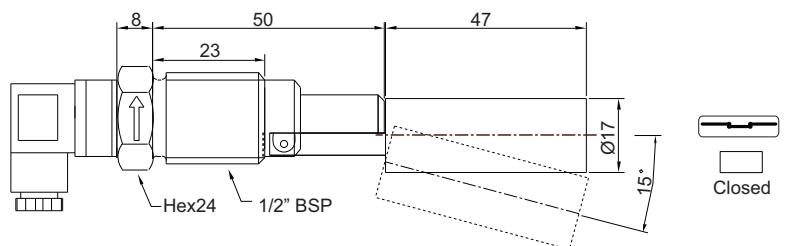
Technical Specifications :

	ELM 61	ELM 61s	ELM 62	ELM 61m
INSTALLITION	HORIZONTAL	HORIZONTAL	HORIZONTAL	HORIZONTAL
Float Material	304 St. St.	304 St. St.	304 St. St.	304 St. St.
Wetted Parts Material	304 St. St.	304 St. St.	304 St. St.	304 St. St.
Pipe Material	304 St. St.	304 St. St.	304 St. St.	304 St. St.
Float Type	S3Y	S3Y	S3Y	S3Y
Working Temperature	Max. 125 °C	Max. 125 °C	Max. 125 °C	Max. 125 °C
Mechanical Connection	1/2" BSP	1/2" BSP	1/2"BSP+Nut	1/2"BSP
Max. Pressure (Bar)	5	5	5	5
Min. Density (g/cm ³)	0.70	0.70	0.70	0.70
Electrical Connection	Cable PG7	DIN43650C Socket	Cable	Clemens
Number of Float	1 Std.	1 Std.	1 Std.	1 Std.
Number of Contact	1x SPST-NO	1x SPST-NO	1x SPST-NO	1x SPST-NO
Contact Current	0.7 A	0.7 A	0.7 A	0.7 A
Max. Contact Power	10 W / VA	10 W / VA	10 W / VA	10 W / VA
Max.Switching Voltage	180 VDC / 130 VAC	180 VDC / 130 VAC	180 VDC / 130 VAC	180 VDC / 130 VAC
Optional	Liquid Level Relay SK-P2	Liquid Level Relay SK-P2	Liquid Level Relay SK-P2	Liquid Level Relay SK-P2

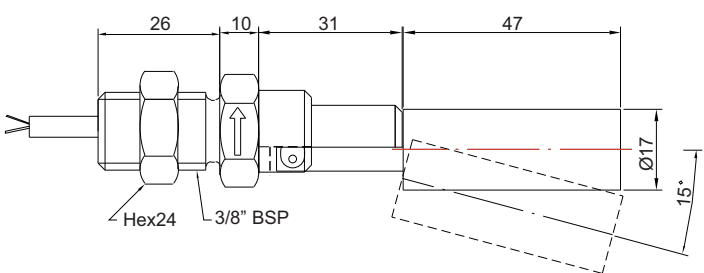
ELM 61



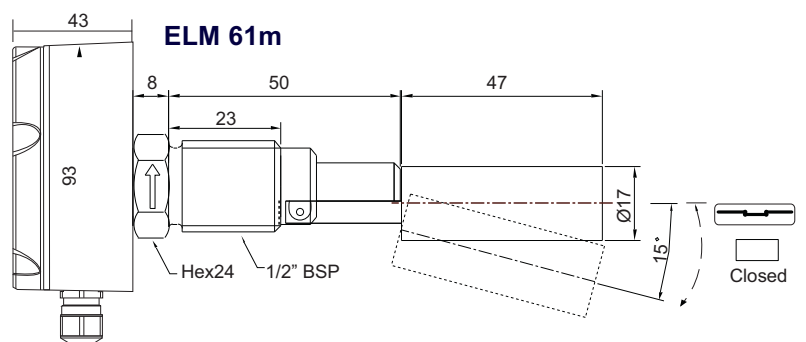
ELM 61s



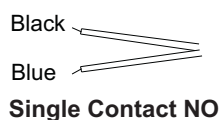
ELM 62



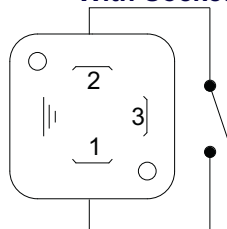
ELM 61m



With Cable

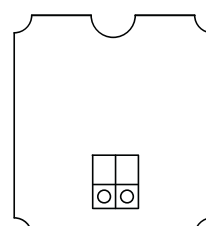


With Socket



Single Contact NO

With Clemens



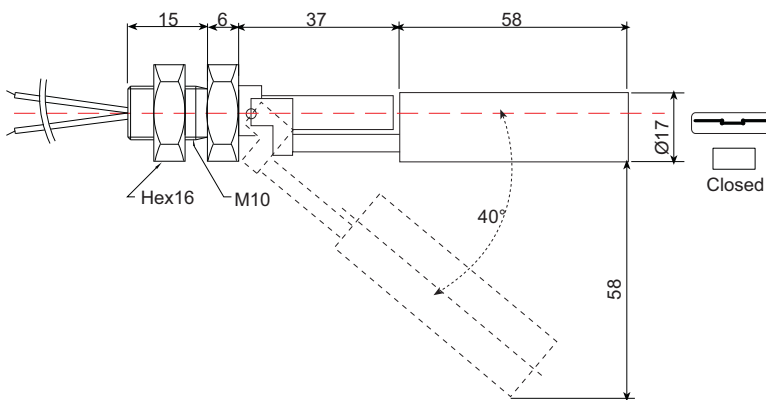
Single Contact NO

All dimensions are given in mm.

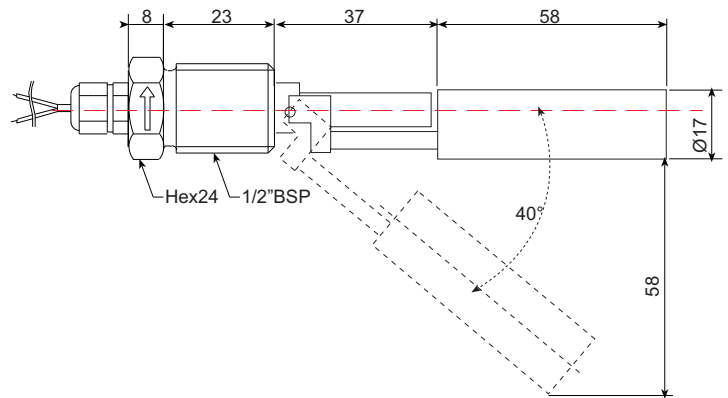
Technical Specifications :

	ELM 63	ELM 64	ELM 64s
INSTALLITION	HORIZONTAL	HORIZONTAL	HORIZONTAL
Float Material	304 St. St.	304 St. St.	304 St. St.
Wetted Parts Material	304 St. St.	304 St. St.	304 St. St.
Pipe Material	304 St. St.	304 St. St.	304 St. St.
Float Type	S3Y-1	S3Y-1	S3Y-1
Working Temperature	Max. 125 °C	Max. 125 °C	Max. 125 °C
Mechanical Connection	1/2" BSP + Nut	1/2" BSP (Std.)	1/2" BSP (Std.)
Max. Pressure (Bar)	5	5	5
Min. Density (g/cm ³)	0.70	0.70	0.70
Electrical Connection	Cable	Cable PG7	DIN43650C Socket
Number of Float	1 Std.	1 Std.	1 Std.
Number of Contact	1x SPST-NO	1x SPST-NO	1x SPST-NO
Contact Current	0.7 A	0.7 A	0.7 A
Max. Contact Power	10 W / VA	10 W / VA	10 W / VA
Max.Switching Voltage	180 VDC / 130 VAC	180 VDC / 130 VAC	180 VDC / 130 VAC
Optional	Liquid Level Relay SK-P2	Liquid Level Relay SK-P2	Liquid Level Relay SK-P2

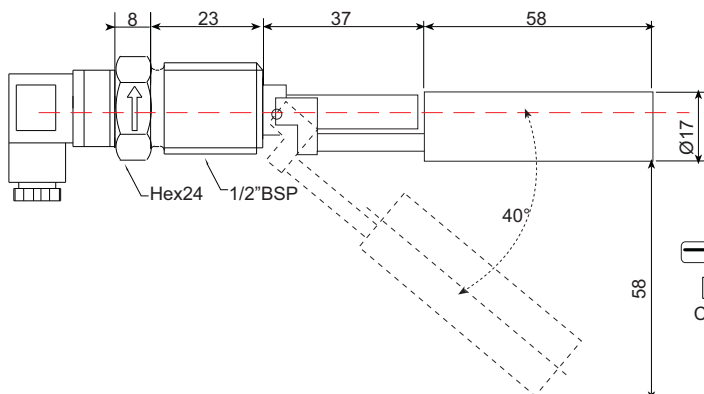
ELM 63



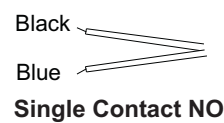
ELM 64



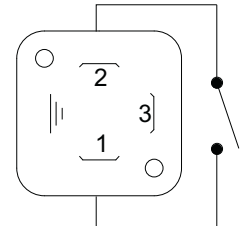
ELM 64s



With Cable



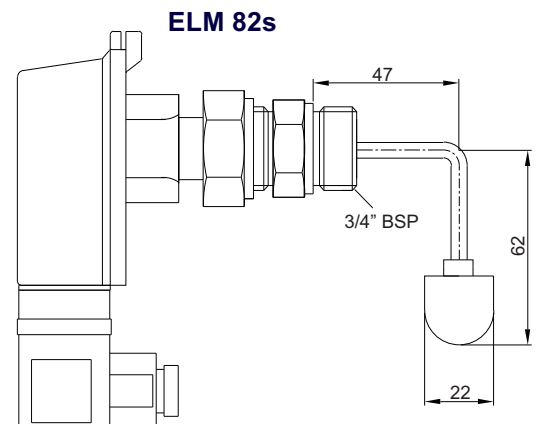
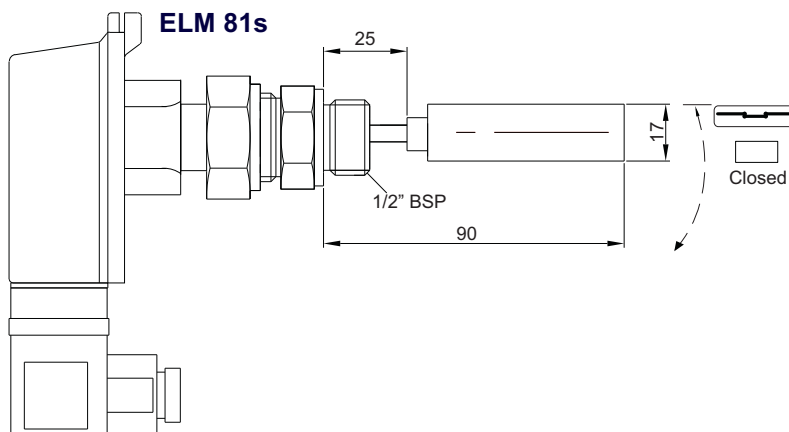
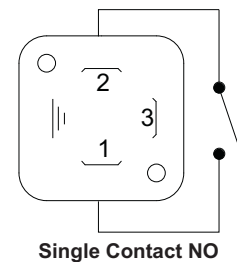
With Socket



All dimensions are given in mm.

Technical Specifications :

	ELM 81s	ELM 82s
INSTALLITION	HORIZONTAL	HORIZONTAL
Float Material	304 St. St. (Std.) Opt. 316 St. St.	304 St. St. (Std.) Opt. 316 St. St.
Wetted Parts Material	304 St. St. (Std.) Opt. 316 St. St.	304 St. St. (Std.) Opt. 316 St. St.
Pipe Material	304 St. St. (Std.) Opt. 316 St. St.	304 St. St. (Std.) Opt. 316 St. St.
Float Type	S3Y / P81	S3Y / P81
Working Temperature	(-)20 / (+) 125°C	(-)20 / (+) 80°C
Mechanical Connection	1/2" BSP / 3/4" BSP	1/2" BSP / 3/4" BSP
Max. Pressure (Bar)	5	5
Min. Density (g/cm ³)	0.75	0.75
Electrical Connection	DIN43650A Socket	DIN43650A Socket
Number of Float	1 Std.	1 Std.
Number of Contact	1x SPST-NO	1x SPST-NO
Contact Current	1 A	1 A
Max. Contact Power	10 W / VA	10 W / VA
Max.Switching Voltage	200 VDC / 140 VAC	200 VDC / 140 VAC
Optional	Liquid Level Relay SK-P2	Liquid Level Relay SK-P2



LEVEL CONTROL DEVICE

Power Supply	220 VAC, 2.8 VA
Output	2 pcs.5A/250 VAC Relay (Start/Stop)
Working Temperature	-20 + 70°C
Dimensions	72 x 72 mm
Input	Contact information come from ELM
Isolation	Input and output are isolated



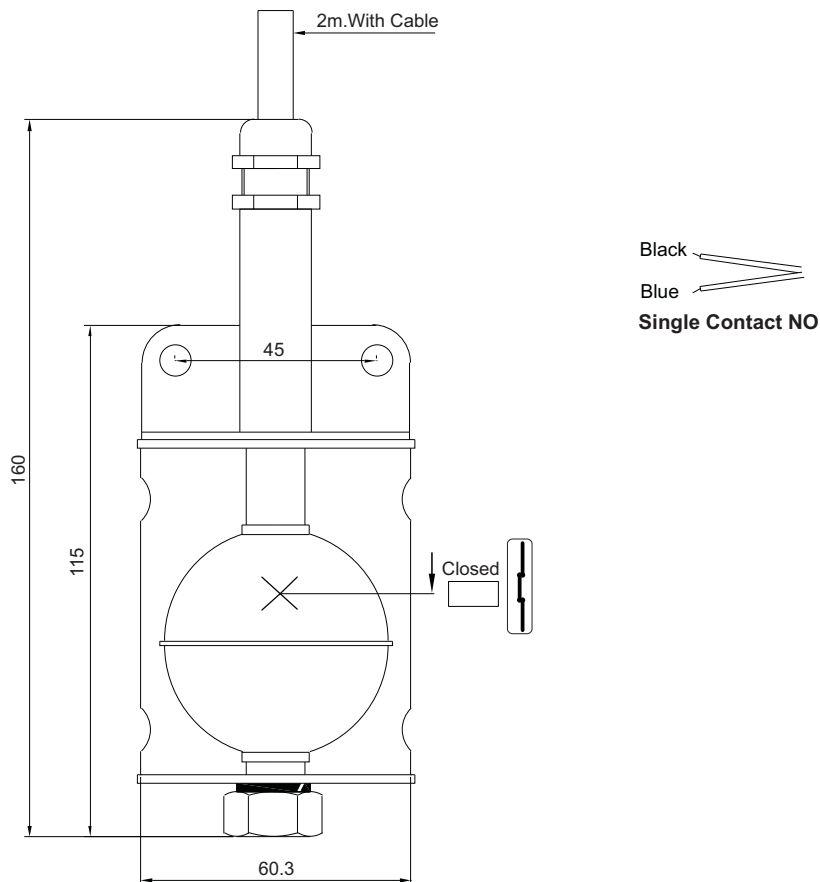
SK-P2
72x72 mm

All dimensions are given in mm.

Technical Specifications :

ELM 51s

INSTALLITION	VERTICAL
Float Material	304 St. St. (Std.) Opt. 316 St. St.
Wetted Parts Material	304 St. St. (Std.) Opt. 316 St. St.
Pipe Material	304 St. St. (Std.) Opt. 316 St. St.
Float Type	S40 A
Working Temperature	Max. 125 °C
Max. Pressure (Bar)	30
Min. Density (g/cm ³)	0.80
Electrical Connection	Cable
Number of Float	1 Std.
Number of Contact	1x SPDT-NA/NA
Contact Current	1.5 A
Max. Contact Power	50 W / VA
Max.Switching Voltage	200 VDC / 250 VAC
Optional	Liquid Level Relay SK-P2



All dimensions are given in mm.

Order Form : Please consider sample models when coding!..

1 MODEL ELM

Horizontal Type, Ø 28mm , L= 45mm	31	With Cable, With Jacket (for bilge).....	51s
Vertical Type, Ø 28mm , L= 72mm	32	With Cable.....	61s
Horizontal Type, Ø 41mm , L= 70mm	41	With Socket.....	61s
Vertical Type, Ø 41mm , L= 92mm	42	With Metal Housing	61m
Horizontal Type, Ø 52mm , L= 80mm	51	With Plastic Housing.....	81s
Vertical Type, Ø 52mm , L= 120mm	52	Interior Mounted.....	62
Horizontal Type, Ø 73mm , L= 115mm	71	Interior Mounted Montajlı OEM.....	63
Vertical Type, Ø 73mm , L= 125mm	72	With Cable OEM.....	64
		With Socket.....	64s

2 CERTIFICATE

None.....	0	(EN10204-3-1) Material Certification.....	1
-----------	---	---	---

3 CONNECTION

1/8" BSP.....	001	3/4" BSP.....	005
3/8" BSP.....	003	M10x1.....	081
1/2" BSP.....	004	Special.....	x

4 MATERIAL

304 St. St.	001	Special.....	x
316 St. St.	002		

5 CABLE LENGTH

...mm.....		Special.....	x
------------	--	--------------	---

6 CONTACT STRUCTURE

NO Reed Relay.....	06	NO / NC Reed Relay.....	08
NC Reed Relay.....	07	Special.....	x

7 ELECTRIC CONNECTION

Clemens.....	00	PVC Cable (Max.60°C).....	80
Polyamide Big Socket P01.....	50	PVC Cable (Max.105°C).....	81
Polyamide Small Socket P02.....	51	Silicon Cable (Max.200°C).....	82

8 OPTIONAL

None..... / 0		E-GSM Device...../ E-GSM	
Wave Preventive Jacket, For ELM 31 and ELM 32 / D1		Level Control Device...../ SK-P2	
Wave Preventive Jacket, For ELM 41 and ELM 42/ D2		Level Relay , 24VDC - 5A -	/ ESR24
Wave Preventive Jacket, For ELM 51 and ELM 42..../ D3		Level Relay , 220VAC - 8A -	/ ESR220
		Special...../ x	

EXAMPLE

ELM 31 - 001 - 001 - 001 - 06 - 80 / 0

ELM 31, Horizontal Type, 304 St. St., 30 cm With Cabled, NO, 1/8"BSP