



DM 10

Battery Powered Digital Pressure Gauge

Ceramic Sensor

class 0.5

Nominal pressure

from 0 ... 1.6 bar up to 0 ... 250 bar

Special characteristics

- ▶ adjustable housing
- ▶ LC display
4.5-digit 7-segment display
- ▶ standard battery CR 2450
operation period > 1.800 h

Functions

- ▶ min / max function with reset function
- ▶ auto-zero
- ▶ setting of pressure unit
(bar, mbar, psi, MPa, mH₂O)
- ▶ automatic switch-off configuration

The compact low-cost digital pressure gauge DM 10 is battery-powered and has an adjustable housing; it is thus extremely suitable for mobile pressure monitoring. The 4.5-digit LC-display indicates the battery status, the measurement value as well as the unit, this enables a fast and precise reading.

It is possible to switch between the most common units (bar, psi, Pa, MPa). Additional functions as auto-zero, min / max values and an automatic switching-off complete the DM 10 profile.

Preferred areas of use are



Mobile Pressure Monitoring
Plant and Machine Engineering
Pneumatics / Hydraulics



Environmental Engineering
(water – sewage – recycling)

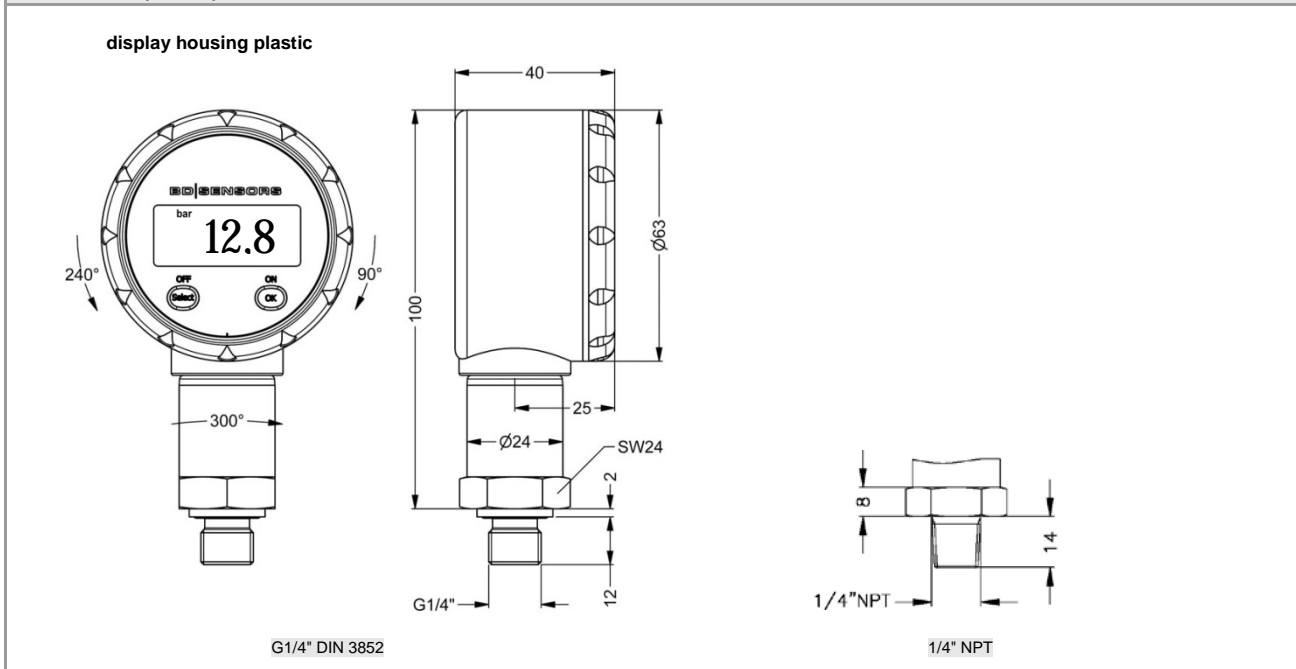


Input Pressure													
Nominal pressure gauge [bar]		1.6	2.5	4	6	10	16	25	40	60	100	160	250
Overpressure [bar]		4	4	10	10	20	40	40	100	100	200	400	400
Burst pressure [bar]		7	7	15	15	35	70	70	150	150	250	450	450
Vacuum resistance		unlimited											

Performance	
Accuracy	$\leq \pm 0.5\%$ FSO BFSL
Measuring rate	1/sec
Long term stability	$\leq \pm 0.3\%$ FSO / year
Thermal effects (Offset and Span)	
Tolerance band	$\leq \pm 0.5\%$ FSO / 10 K (typ.) in compensated range 0 ... 50 °C
Permissible temperatures	
Permissible temperatures	medium: -25 ... 85 °C environment: 0 ... 70 °C storage: 0 ... 70 °C
Materials	
Pressure port / housing	stainless steel 1.4301 (304)
Display housing	PA 6.6, Polycarbonate
Seals (media wetted)	FKM others on request
Diaphragm	ceramics Al ₂ O ₃ 96 %
Media wetted parts	pressure port, seals, diaphragm
Miscellaneous	
Display	LC-Display, visible range 36 x 15 mm; 4.5-digit 7-segment-display, digit size 8.5 mm, range of indication ± 19999
Electromagnetic compatibility	emission and immunity according to EN 61326
Supply	3 V lithium battery (CR 2450)
Data storage	EEPROM (non-volatile)
Ingress protection	IP 65
Installation position	any
Weight	plastic: approx. 150 g
Operational life of battery	min. 1500 h with permanent operation
Mech. operational life	> 100 x 10 ⁶ pressure cycles
CE-conformity	EMC directive 2004/108/EC pressure equipment directive: 97/23/EC (Modul A) ¹

¹This directive is only valid for devices with maximum permissible overpressure > 200 bar.

Dimensions (in mm)



This data sheet contains product specification, properties are not guaranteed. Subject to change without notice.

Ordering code DM 10

DM 10

□□□ - □□□□ - 0 - □□ - 0K0 - □□□□ - □ - □ - □ - □ - □□□□

Pressure												
	gauge	M	0	4								
Input												
	[bar]											
	1.6		1	6	0	1						
	2.5		2	5	0	1						
	4.0		4	0	0	1						
	6.0		6	0	0	1						
	10		1	0	0	2						
	16		1	6	0	2						
	25		2	5	0	2						
	40		4	0	0	2						
	60		6	0	0	2						
	100		1	0	0	3						
	160		1	6	0	3						
	250		2	5	0	3						
	customer		9	9	9	9					consult	
Accuracy												
	[BFSL]											
	0.5 %					B	8					
	customer					9	9				consult	
Mechanical connection												
	G1/4" DIN 3852					3	0	0				
	1/4" NPT					N	4	0				
	customer					9	9	9			consult	
Seals												
	FKM							1				
	customer							9			consult	
Pressure port												
	Stainless steel 1.4301 (304)								2			
	customer								9		consult	
Diaphragm												
	Ceramics Al ₂ O ₃ 96%									2		
	customer									9	consult	
Front foil												
	standard									1		
	neutral									N		
	customer									9	consult	
Special version												
	standard									0	0	0
	customer									9	9	9
												consult

This price list contains product specification; properties are not guaranteed. Detailed information about options are defined in the datasheet. Subject to change without notice.

04.12.2012

