

It's designed for low flow measuring and monitoring. With the compact form it ensures high accurate flow measurement and control. Cable and high precisios pulse sensor placed into the body provides to get accurate values in the long time.

Applications:

Smart drinking Fountains , beverage industry , tes and coffee machine , water purifier , liquid filling machines...



EF TURBINE FLOWMETER

EF08 , EF09
EF15 , EF20 , EF25 , EF32

Advantages:

- * Economical.
- * Easy to assemble.
- * Easy to adjust.

Technical Specifications:

MODEL	DIGITAL DISPLAY EF36a	DIGITAL DISPLAY EF36t
	MOMENT	TOTAL
Contact	1pcs SPDT 5A	1pcs SPDT 5A
Board Type	36x72mm	36x72mm
Ambient Temp.	-10/+60 °C	-10/+60 °C
Input	Pulse	Pulse
Supply	4.5...24 VDC	4.5...24 VDC



Programmable over the set of front panel

Technical Specifications:

ANALOG CONVERTER	
Power Supply	11...30 VDC
Output	4-20 mA / 0-20 mA
	0-10 V / 0-5 V or reverse
Input	20000 pulse/sn.
Isolation	1.5 kV
Accuracy	+/- % 0.1
Working Temp.	-20 / + 65 C

EF00

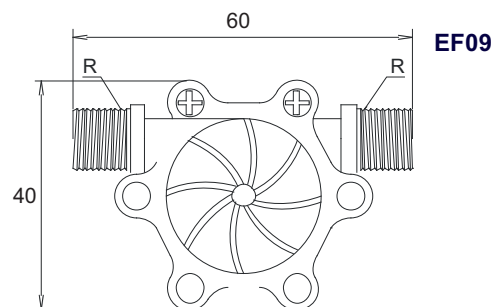
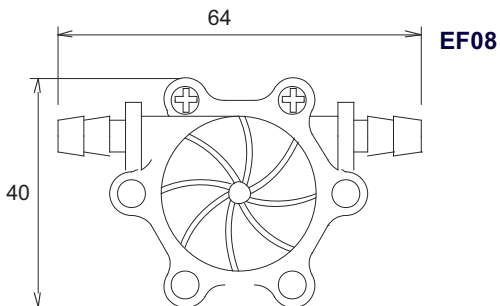


Protected against overvoltage and reverse connections
Input type, output and output range can be selected

Technical Specifications:

MODEL	EF08	EF09
Fluid	Fluid	Fluid
Working Temp.	-10/+80 C	-10/+80 C
Max. Pressure	20 bar	20 bar
Range	0.15...3 l/min (9...180 l/h)	0.15...3 l/min (9...180 l/h)
Output	2200 Puls/l (NPN)	2200 Puls/l (NPN)
Accuracy	+/- %2	+/- %2
Connections	6 mm Hose Type	7/16"UNF
Cable	PVC 3 m.	PVC 3 m.
Wetted Parts	Plastic	Plastic
Protection	IP 68	IP 68
Power Supply	4,5 ... 24 VDC	4,5 ... 24 VDC
Electrical Conn.	Yellow:Pulse Output Black: (-) Supply Orange:(+) Supply	Yellow:Pulse Output Black: (-) Supply Orange:(+) Supply

Technical Picture:



Technical Specifications:

MODEL	EF15	EF20	EF25	EF32
Fluid	Fluid	Fluid	Fluid	Fluid
Working Temp.	-10/+80 C	-10/+80 C	-10/+80 C	-10/+80°C
Max. Pressure	17 bar	17 bar	17 bar	17 bar
Range	1...33 l/min (0,18...2000 l/h)	3...50 l/min (0,18...3000 l/h)	5...60 l/min (0,3...3600 l/h)	1...120 l/min (1,8...7.2m ³ /h)
Output	340 Puls/l (NPN)	370 Puls/l (NPN)	370 Puls/l (NPN)	180 Puls/lt (NPN)
Accuracy	+/- %2	+/- %2	+/- %2	+/- %2
Connections	1/2" BSP Male	3/4" BSP Male	1" BSP Male	1 1/4" BSP Male
Cable	PVC 0.2 m.	PVC 0.2 m.	PVC 0.2 m.	PVC 0.2 mt
Wetted Parts	ABS	ABS	ABS	ABS
Protection	IP 68	IP 68	IP 68	IP 68
Power Supply	3 ... 18 VDC	3 ... 18 VDC	3 ... 18 VDC	5 ... 24 VDC
Electrical Conn.	Yellow:Pulse Output Black: (-) Supply Red:(+) Supply	Yellow:Pulse Output Black: (-) Supply Red:(+) Supply	Yellow:Pulse Output Black: (-) Supply Red:(+) Supply	Yellow:Pulse Output Black: (-) Supply Red:(+) Supply

Technical Picture:

